

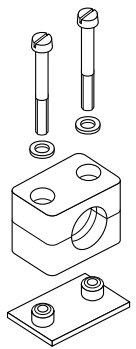
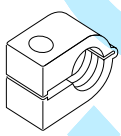
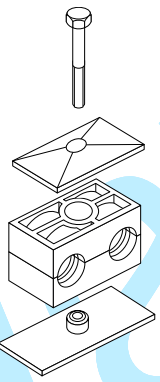
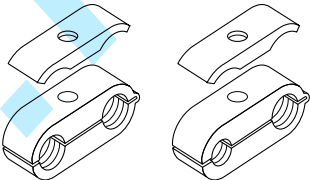
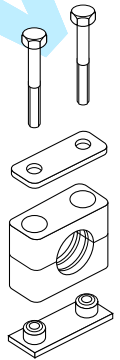
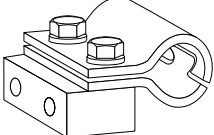
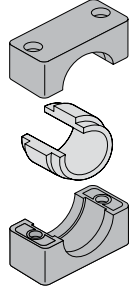
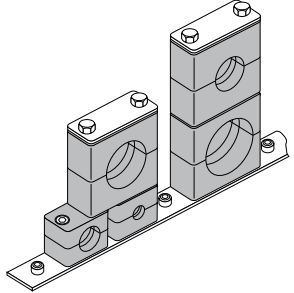


# **EO<sup>®</sup> Ermeto Original Tube clamps**



Visual index

Technical data ..... T3  
 Material properties ..... T4  
 Assembly instruction ..... T5/6  
 Light series (DIN 3015, part 1)..... T6  
 Heavy series (DIN 3015, part 2)..... T6  
 Double series (DIN 3015, part 3) ..... T6  
 Recommended clamp pitch ..... T7  
 Pipe bend assembly ..... T7

<p>Tube clamps series A</p>	 <p>p. T8-T18</p>	<p>Tube clamps series O</p>	 <p>p. T35</p>
<p>Tube clamps series B</p>	 <p>p. T19-T23</p>	<p>Double-Tube clamps series O</p>	 <p>p. T36</p>
<p>Tube clamps series C</p>	 <p>p. T24-T34</p>	<p>Hydraulic steel-clamps</p>	 <p>p. T37</p>
		<p>Tube clamps with Elastomer Inlay</p>	 <p>p. T39</p>
		<p>Tube clamps-series 2+5</p>	 <p>p. T40</p>

## Tube clamps

### DIN 3015

#### Programme:

##### Tube clamps series A (according to DIN 3015 Part 1)

Available in seven standard sizes for normal mechanical requirements.

- Outer tube diameter for the metric series 6 to 57 mm
- Outer tube diameter for the inch-size series R 1/8" to R 1 1/2"
- Outer tube diameter for the imperial size series 1/4" to 2 1/2"

The clamp body is available in a round/closed version. Welding plates, rail-supports, cover plates and construction types.

##### Tube clamps series B (according to DIN 3015 Part 3)

Available as a twin tube clamp in five standard sizes for normal mechanical requirements.

Outer tube diameter 6 to 42 mm.

The clamp body is available in a square/open design. Welding plates, rail-supports, cover plates and construction types.

Clamp halves with different diameters are only possible when used together.

##### Tube clamps series C (according to DIN 3015 Part 2)

Specially designed for high mechanical requirements, and available in eight standard sizes.

- Outer tube diameter 6 to 220 mm.

The clamp body is available in a square/closed design. Welding plates, rail-supports, cover plates and construction types.

#### Design:

According to DIN 3015:

Both upper and lower clamp-halves are identical.

Webs inside the bore of the clamps provide an impact and vibration deadening effect, and absorb the forces towards the direction of the tube axis.

When using hoses and cables, we recommend the use of clamp halves with a smooth bore.

#### Clamp material:

Polypropylene	-30°C up to + 90° C	colour dark green
Polyamide	-40°C up to + 120° C	colour black
Rubber	-50°C up to + 120° C	colour black
Aluminium	up to + 300° C	

All metal parts available also in stainless steel.

Other materials upon request.

Stainless steel qualities

Stainless steel 1.4401/1.4571 (AISI 316/316 TI), resistant against rust and acid.

#### Accessories material:

Steel. Screws as well as cover plates of series A and B are galvanized.

Rail-supports are also available with zinc plated surface.

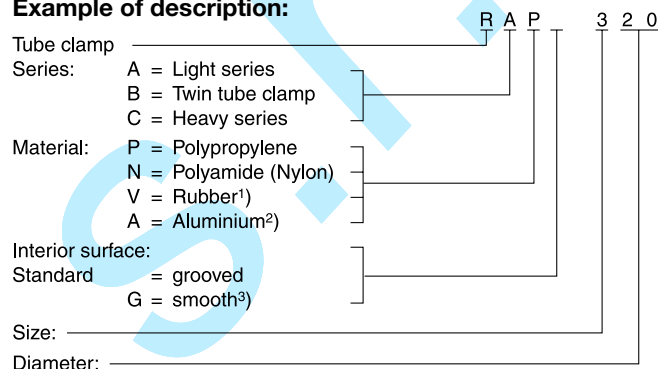
#### Resistance to stress:

The remarkable features of **Tube Clamps** are their considerable re-set capability, high tensile strength, as well as their very high output strength and excellent resistance to cold. The choice of design and clamp material depends on the specific demands of the mechanical and thermal requirements.

#### Order code:

The order code for clamp halves as well as the reference No. for complete tube clamps incorporates the serial indication, material description and interior surface.

#### Example of description:



<sup>1)</sup> Rubber only available for series A and B, inside smooth and series C grooved design

<sup>2)</sup> Aluminium only available for series A size 1 to 6 and series C size 1 to 8

<sup>3)</sup> Smooth interior surface in series C only to size 4

Aluminium clamps only available in a grooved design  
Inside smooth series A only size 1 to 6

#### Registration:

On request

**Tube clamps material properties**
**DIN 3015**

Mechanical properties		Polypropylene (PP)	Polyamide 6 (PA 6)	Aluminium	Rubber
Density		0.906 g/cm <sup>3</sup>	1.12–1.15g/cm <sup>3</sup>	2.65 g/cm <sup>3</sup>	0.98 g/cm <sup>3</sup>
Flexural deflection	DIN 53452	36 N/mm <sup>2</sup>	130...200 N/mm <sup>2</sup>	70 N/mm <sup>2</sup>	–
Impact resistance	DIN 53453	no break	no break	–	–
Compressive strength	DIN 53454	90 N/mm <sup>2</sup>	120 N/mm <sup>2</sup>	HB 500...600 N/mm <sup>2</sup>	A and B: 64° shore C: 73° shore
Modulus of elasticity	DIN 53452	1500 N/mm <sup>2</sup>	3000 N/mm <sup>2</sup>	70.000 N/mm <sup>2</sup>	–
Tensile strength					A and B: 6.1 N/mm <sup>2</sup> C: 8.5 N/mm <sup>2</sup>
without breakage	DIN 53454	25–35 N/mm <sup>2</sup>	80–90 N/mm <sup>2</sup>	180 N/mm <sup>2</sup>	–

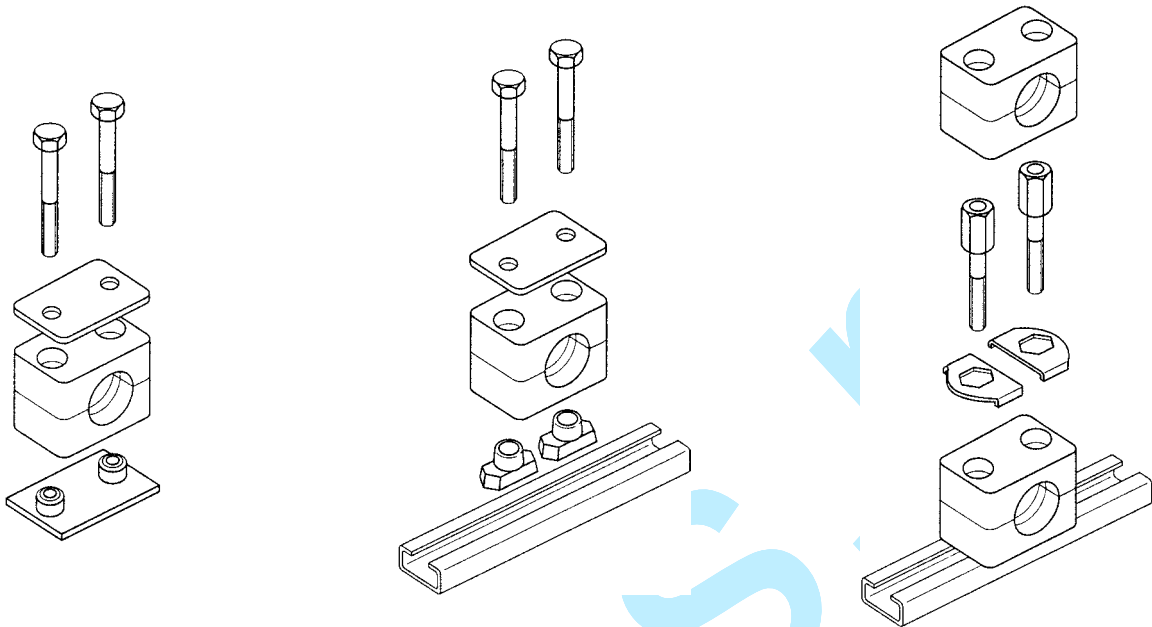
Thermal properties					
Temp. resistance		–30 ... + 90°C	–40 ... + 120°C	300°C	–50 ... +120°C

Chemical properties					
Weak acids		limited resistant	limited resistant		resistant
Weak alkalis		limited resistant	limited resistant		resistant
Alcohol		resistant	resistant		resistant
Petrol		limited resistant	resistant		limited resistant
Mineral oils		resistant	resistant		resistant
Other oils		resistant	resistant		resistant

The outlined particulars are approximate values and are only shown for reference, which are not binding, and with regard to possible protection of third parties. They do not exempt you from your own examination of suitability of the products delivered by us. Therefore, these values can only be used in a limited way for guidance only.

The application of the products is carried out outside of our control and, therefore, is exclusively subject to your own area of responsibility. Any claim however would be limited for all damages to the value of the goods supplied by us and in use by you.

It goes without saying, that we guarantee the perfect quality of our products according to our general sales and delivery conditions.

**Tube clamps assembly instruction**

**Assembly:**
**Assembly on to metal welding plates**

Place welding plates on a base appropriate for the load. Make sure that the clamps are properly aligned. Clamp lower clamp half onto welding plate, insert tube, place upper clamp half onto lower half and fasten with the screws. Attention must be paid to the bias (after completed assembly, clamp halves may not be in contact)! Do not weld with fitted plastic clamp! Extended welding plates may be screw-fastened to the base.

**Assembly on support rails**

Support rails are available in four different heights and come in pieces of 1 m or 2 m length, as required. Weld on support rail or screw-fasten with fastening angle bracket. Insert support rail nuts in rail and turn until stoppage. For heavy duty construction series, nuts are simply pushed in. Clamp lower clamp half on support rail nuts, insert tube, place upper clamp half onto lower half and fasten with the screws. Before fastening the screws the clamp may still be positioned. Attention must be paid to the bias (after completed assembly, the clamp halves may not be in contact)!

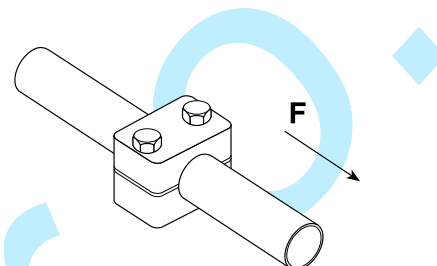
**Construction assembly**

Clamps allow the assembly of multiple clamps of the same construction size and of different tube diameters one above the other. The construction assembly is carried out with special fixing screws that are secured against twisting by applying a locking plate. Clamp lower clamp half on welding plate or support rail respectively, insert tube, place upper clamp half on lower half and fasten with fixing screws. The fixing screw juts out from the upper clamp half. The application of a locking plate securely fastens the fixing screw and prevents twisting. Clamp on second clamp half on to the fixing screws etc.

**Tube clamps**
**DIN 3015**
**Screw tightening torque and axial pipe shearing forces**

The indicated screw tightening torque and axial pipe shearing forces refer to the assembly with cover plates and outside hexagon bolts according to DIN 931/933.

The axial pipe shearing force (according to DIN 3015, part 10) is an average value, determined by three tests made with a steel pipe according to DIN 2448 of St. 37, for which static friction is assumed (temperature during tests: 23°C). When loading the clamp with the indicated test force (F) in axial pipe direction, the pipe must not slide in the clamp.


**Light series (DIN 3015, part 1)**

Size	Fixing screw DIN 931/933	Polypropylene		Polyamide		Aluminium	
		Screw tightening torque (Mn)	Pipe shearing force F (kN)	Screw tightening torque (Mn)	Pipe shearing force F (kN)	Screw tightening torque (Mn)	Pipe shearing force F (kN)
0	M6	8	0.6	10	0.6	–	–
1	M6	8	1.1	10	0.7	12	4.2
2	M6	8	1.2	10	0.8	12	4.3
3	M6	8	1.4	10	1.6	12	4.8
4	M6	8	1.5	10	1.7	12	5.0
5	M6	8	1.9	10	2.0	12	7.3
6	M6	8	2.0	10	2.5	12	8.9

**Heavy series (DIN 3015, part 2)**

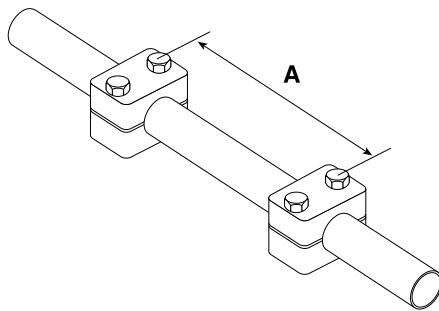
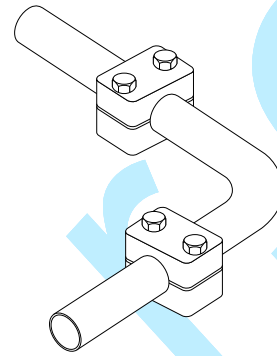
Size	Fixing screw DIN 931/933	Polypropylene		Polyamide		Aluminium	
		Screw tightening torque (Mn)	Pipe shearing force F (kN)	Screw tightening torque (Mn)	Pipe shearing force F (kN)	Screw tightening torque (Mn)	Pipe shearing force F (kN)
1	M10	12	1.6	20	4.2	30	12.1
2	M10	12	2.9	20	4.5	30	15.1
3	M10	15	3.3	25	5.1	35	15.5
4	M12	30	8.2	40	9.3	55	29.4
5	M16	45	11.0	55	15.8	120	34.8
6	M20	80	14.0	150	21.0	220	50.0
7	M24	110	28.0	200	32.0	250	70.6
8	M30	180	40.0	350	48.0	500	84.5

**Double series (DIN 3015, part 3)**

Size	Fixing screw DIN 931/933	Polypropylene		Polyamide	
		Screw tightening torque (Mn)	Pipe shearing force F (kN)	Screw tightening torque (Mn)	Pipe shearing force F (kN)
1	M6	5	0.9	5	0.9
2	M8	12	2.1	12	2.2
3	M8	12	1.9	12	2.0
4	M8	12	2.7	12	2.9
5	M8	8	1.7	8	2.5

**Tube clamps**

DIN 3015

**Recommended clamp pitch**

**Pipe bend assembly**


The clamp pitches corresponding to respective outside pipe diameters are standard for static loads.

Pipe bends must be fixed with pipe clamps immediately in front of and behind the bend.

Outside pipe diameter (mm)	Clamp pitch A (m)
6.0– 12.7	1.0
12.7– 22.0	1.2
22.0– 32.0	1.5
32.0– 38.0	2.0
38.0– 57.0	2.7
57.0– 75.0	3.0
75.0– 76.1	3.5
76.1– 88.9	3.7
88.9–102.0	4.0
102.0–114.0	4.5
114.0–168.0	5.0
168.0–219.0	6.0

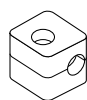
## Tube clamps series A (Light construction series) – Components

DIN 3015, part 1

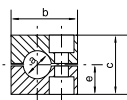
**Order code for clamp halves:**

- Polypropylene – **RAP**
- Inside smooth – **RAPG**
- Polyamide 6 – **RAN**
- Inside smooth – **RANG**
- Rubber – **RAVG**
- Aluminium – **RAA'**

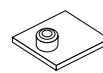
(Please exchange as required standard abbreviation RAP in column for “clamp halves”)



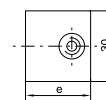
size 0



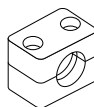
size 0



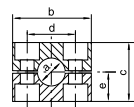
size 0



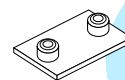
size 0



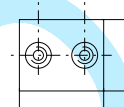
size 1-8



size 1-8  
Width: 30 mm



size 1-8



size 1-8  
Thickness:  
3 mm

clamp size	Tube O.D. mm a	Tube NB	Tube O.D.	1 part		welding plate, short					
				RAP... Order code	dimensions: b c d e	APK A... Order code	dimensions: d e				
0	6.0	G 1/8	1/4	RAP006X RAP006.4X RAP008X RAP009.5X RAP010X RAP012X	28	27	-	13.5	APKA0X	-	30
	6.4										
	8.0										
	9.5										
	10.0										
12.0											
1	6.0	G 1/8	1/4	RAP106X RAP106.4X RAP108X RAP109.5X RAP110X RAP112X	34	27	20	13.5	APKA1X	20	36
	6.4										
	8.0										
	9.5										
	10.0										
12.0											
2	12.7	G 1/4	1/2	RAP212.7X RAP213.5X RAP214X RAP215X RAP216X RAP217.2X RAP218X	42	33	26	16.5	APKA2X	26	42
	13.5										
	14.0	G 3/8	5/8								
	15.0										
	16.0										
17.2											
18.0											
3	19.0	G 1/2	3/4	RAP319X RAP320X RAP321.3X RAP322X RAP323X RAP325X	49	35	33	17.5	APKA3X	33	50
	20.0										
	21.3										
	22.0										
	23.0										
25.0											
4	26.9	G 3/4	1	RAP426.9X RAP428X RAP430X	59	42	40	21	APKA4X	40	59
	28.0										
	30.0										
5	32.0	G 1	1 1/4	RAP532X RAP533.7X RAP535X RAP538X RAP540X RAP542X	71	58	52	29	APKA5X	52	72
	33.7										
	35.0	G 1 1/4	1 1/2								
	38.0										
	40.0										
42.0											
6	44.5	G 1 1/2	1 3/4	RAP644.5X RAP645X RAP648X RAP650X RAP650.8X RAP652X RAP655X RAP657X	86	66	66	33	APKA6X	66	88
	45.0										
	48.0										
	50.0	2									
	50.8										
	52.0										
55.0											
57.0	2 1/4										

Continuation see next page ...

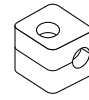


**Tube clamps series A (Light construction series) – Components (Continued)**

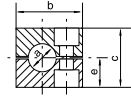
DIN 3015, part 1

**Order code for clamp halves:**

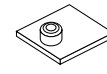
- Polypropylene – **RAP**
- Inside smooth – **RAPG**
- Polyamide 6 – **RAN**
- Inside smooth – **RANG**
- Rubber – **RAVG**
- Aluminium – **RAA'**

 (Please exchange as required standard abbreviation  
 RAP in column for “clamp halves”)


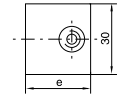
size 0



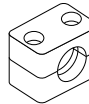
size 0



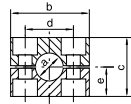
size 0



size 0

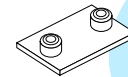


size 1-8

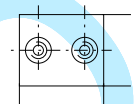


size 1-8

Width: 30 mm



size 1-8



size 1-8

 Thickness:  
 3 mm

clamp size	Tube O.D. mm a	Tube NB	Tube O.D.	1 part		welding plate, short	
				2 clamp halves <b>RAP...</b> Order code	dimensions: b c d e	<b>APK A...</b> Order code	dimensions: d e
7	57.2	G 2	2 1/4	<b>RAP757.2X</b> <b>RAP760.3X</b> <b>RAP763.5X</b> <b>RAP770X</b> <b>RAP773X</b> <b>RAP776.1X</b>	121 93.6 94 46.8	<b>APKA7X</b>	94 122
	60.3		2 1/2				
	63,5		2 3/4				
	70.0						
	73.0						
76.1	G 2 1/2	3					
8	88.9	G 3	4	<b>RAP888.9X</b> <b>RAP8101.8X</b>	147 117.6 120 58.8	<b>APKA8X</b>	120 148
	101.8						

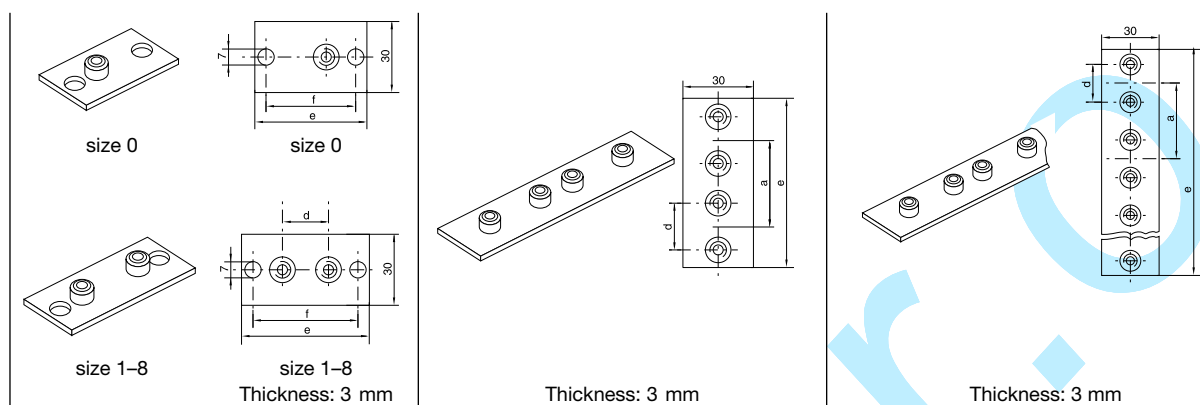
When assembling solid rubber clamps, covering plates, hexagon screws and locking washers must be used. All metal parts available in stainless steel.

1) Aluminium only sizes 1 to 6.

KONVAL

## Tube clamps series A (Light construction series) – Components

DIN 3015, part 1

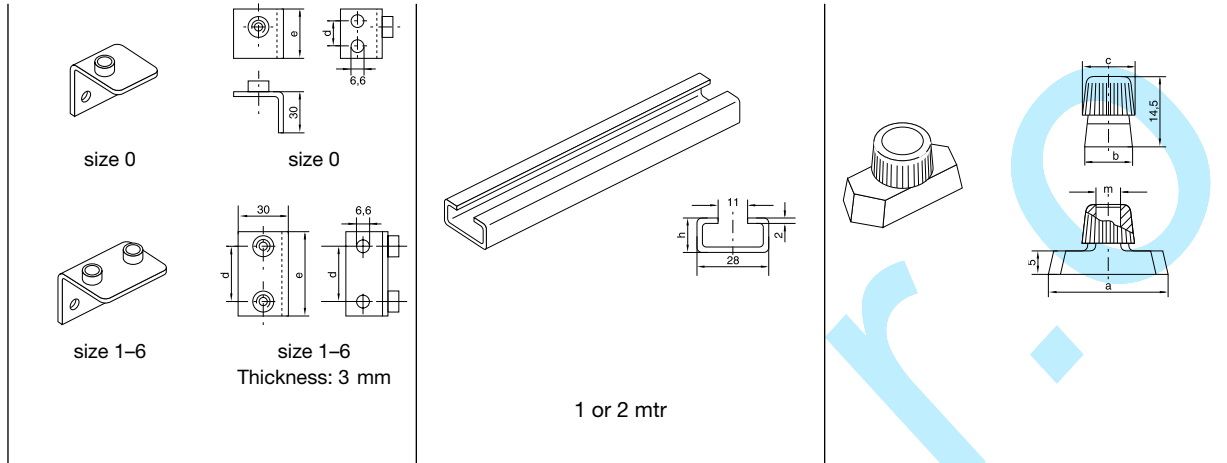


clamp size	weld/screw plate, long			twin welding plate			multiple weld plate					
	APL A... Order code	dimensions:			APD A... Order code	dimensions:						
		d	e	f		d	a	e	APR A... Order code	dimensions:		
										d	a	e
0	<b>APLA0X</b>	–	58	44	<b>APDA0X</b>	–	30	61	<b>APRA0X</b> (10 clamps)	–	30	298
1	<b>APLA1X</b>	20	64	50	<b>APDA1X</b>	20	35	69	<b>APRA1X</b> (10 clamps)	20	35	349
2	<b>APLA2X</b>	26	70	56	<b>APDA2X</b>	26	43	86	<b>APRA2X</b> (10 clamps)	26	43	427
3	<b>APLA3X</b>	33	78	64	<b>APDA3X</b>	33	52	104	<b>APRA3X</b> (10 clamps)	33	52	516
4	<b>APLA4X</b>	40	87	73	<b>APDA4X</b>	40	60	117	<b>APRA4X</b> (5 clamps)	40	60	297
5	<b>APLA5X</b>	52	100	86	<b>APDA5X</b>	52	75	145	<b>APRA5X</b> (5 clamps)	52	75	370
6	<b>APLA6X</b>	66	116	100	<b>APDA6X</b>	66	90	176	<b>APRA6X</b> (5 clamps)	66	90	446
7	<b>APLA7X</b>	94	150	136								
8	<b>APLA8X</b>	120	178	162								

Metal parts also available in stainless steel.

**Tube clamps series A (Light construction series) – Components**

DIN 3015, part 1

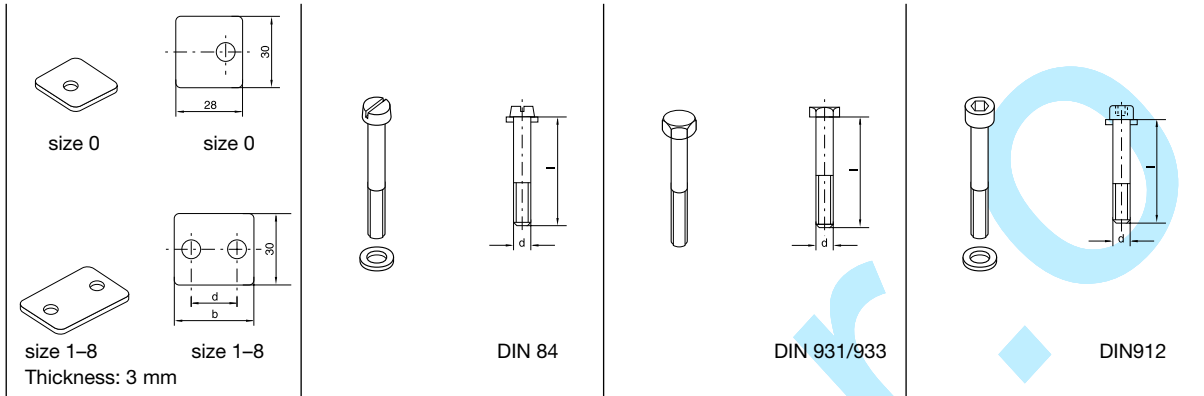


clamp size	weld plate, angled		mounting rail		rail nut				
	APW A... Order code	dimensions: d e	TS...A/B Order code	dimensions: h	TM...A/B1 Order code	dimensions: a b c m			
0	<b>APWA0X</b>	14 30	<b>TS11A/B1X</b> <b>TS11A/B2X</b> <b>TS14A/B1X</b> <b>TS14A/B2X</b> <b>TS30A/B1X</b> <b>TS30A/B2X</b>	TS11: 11 TS14: 14 TS30: 30	<b>TMA/TMB1VERZX</b>	25.4	10.4	12	M6
1	<b>APWA1X</b>	20 36							
2	<b>APWA2X</b>	26 42							
3	<b>APWA3X</b>	33 50							
4	<b>APWA4X</b>	40 59							
5	<b>APWA5X</b>	52 72							
6	<b>APWA6X</b>	66 88							

Metal parts also available in stainless steel.

**Tube clamps series A (Light construction series) – Components**

DIN 3015, part 1

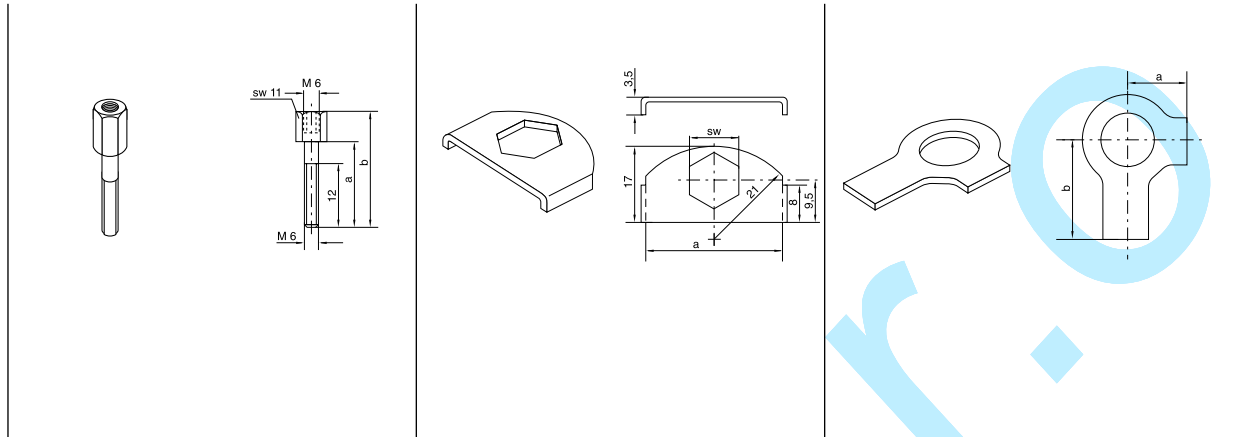


clamp size	cover plate		slot head		hexagon head		socket head	
	DP A... Order code	dimensions: b d	SL A... Order code	dimensions: d x L	SSL A... Order code	dimensions: d x L	IS A... Order code	dimensions: d x L
0	<b>DPA0X</b>	- -	<b>SLA0X</b>	M 06x20	<b>SSLA0X</b>	M 06x30	<b>ISA0X</b>	M 06x20
1	<b>DPA1X</b>	34 20	<b>SLA1X</b>	M 06x20	<b>SSLA0X</b>	M 06x30	<b>ISA0X</b>	M 06x20
2	<b>DPA2X</b>	40 26	<b>SLA2X</b>	M 06x25	<b>SSLA2/SSB1X</b>	M 06x35	<b>ISA2X</b>	M 06x25
3	<b>DPA3X</b>	48 33	<b>SLA3X</b>	M 06x30	<b>SSLA3X</b>	M 06x40	<b>ISA3X</b>	M 06x30
4	<b>DPA4X</b>	57 40	<b>SLA4X</b>	M 06x35	<b>SSLA4X</b>	M 06x45	<b>ISA4X</b>	M 06x35
5	<b>DPA5X</b>	70 52	<b>SLA5X</b>	M 06x50	<b>SSLA5X</b>	M 06x60	<b>ISA5X</b>	M 06x50
6	<b>DPA6X</b>	86 66	<b>SLA6X</b>	M 06x60	<b>SSLA6X</b>	M 06x70	<b>ISA6X</b>	M 06x60
7	<b>DPA7X</b>	120 94			<b>SSLA7X</b>	M 06x100		
8	<b>DPA8X</b>	146 120			<b>SSLA8X</b>	M 06x125		

All metal parts available in stainless steel.

## Tube clamps series A (Light construction series) – Components

DIN 3015, part 1



clamp size	stacking <sup>1)</sup>		locking plate <sup>1)</sup>		locking washer <sup>2)</sup>	
	AS A... Order code	dimensions: a    b	SB A Order code	dimensions: a    SW	US A Order code	dimensions: a    b
0	<b>ASA0X (ASB1X)</b>	20    34	<b>SBAX</b>	30    11	<b>USA/USB1X</b>	9    18
1	<b>ASA0X (ASB1X)</b>	20    34				
2	<b>ASA2X</b>	25    39				
3	<b>ASA3X</b>	30    44				
4	<b>ASA4X</b>	35    49				
5	<b>ASA5X</b>	50    64				
6	<b>ASA6X</b>	60    74				

<sup>1)</sup> The use of stacking bolts necessitates the use of locking plates in the construction assembly.

<sup>2)</sup> When assembling solid rubber clamps, cover plates, hexagon screws and locking washers must be used. Metal parts also available in stainless steel.

KONVENS

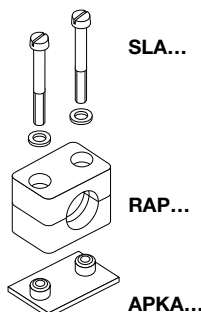
T

## Tube clamps series A (Light construction series) – Complete range

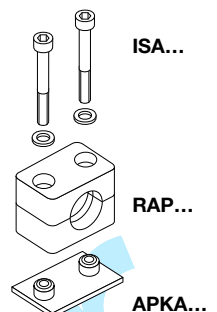
Polypropylene – **RAP**  
 Inside smooth – **RAPG**  
 Polyamide 6 – **RAN**  
 Inside smooth – **RANG**  
 Rubber – **RAVG\***  
 Aluminium – **RAA**

(As required please exchange standard abbreviation RAP in column for "Order code")

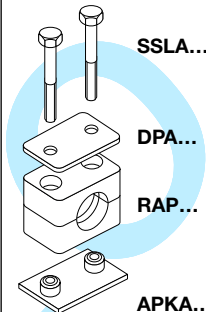
2 clamp halves, weld plate **short**, slot head bolts and bushes



2 clamp halves, weld plate **short**, socket head bolts and bushes



2 clamp halves, weld plate **short**, cover plate hex. head bolts



clamp size	Tube O.D. mm	Tube NB	Tube O.D.	Order code	Order code	Order code		
0 <sup>1)</sup>	6.0	G 1/8	1/4	<b>RAP1-006</b>	<b>RAP2-006</b>	<b>RAP3-006</b>		
	6.4			<b>RAP1-006.4</b>	<b>RAP2-006.4</b>	<b>RAP3-006.4</b>		
	8.0			<b>RAP1-008</b>	<b>RAP2-008</b>	<b>RAP3-008</b>		
	9.5			<b>RAP1-009.5</b>	<b>RAP2-009.5</b>	<b>RAP3-009.5</b>		
	10.0			<b>RAP1-010</b>	<b>RAP2-010</b>	<b>RAP3-010</b>		
	12.0			<b>RAP1-012</b>	<b>RAP2-012</b>	<b>RAP3-012</b>		
1	6.0	G 1/8	1/4	<b>RAP1-106</b>	<b>RAP2-106</b>	<b>RAP3-106</b>		
	6.4			<b>RAP1-106.4</b>	<b>RAP2-106.4</b>	<b>RAP3-106.4</b>		
	8.0			<b>RAP1-108</b>	<b>RAP2-108</b>	<b>RAP3-108</b>		
	9.5			<b>RAP1-109.5</b>	<b>RAP2-109.5</b>	<b>RAP3-109.5</b>		
	10.0			<b>RAP1-110</b>	<b>RAP2-110</b>	<b>RAP3-110</b>		
	12.0			<b>RAP1-112</b>	<b>RAP2-112</b>	<b>RAP3-112</b>		
2	12.7	G 1/4	1/2	<b>RAP1-212.7</b>	<b>RAP2-212.7</b>	<b>RAP3-212.7</b>		
	13.5			<b>RAP1-213.5</b>	<b>RAP2-213.5</b>	<b>RAP3-213.5</b>		
	14.0			<b>RAP1-214</b>	<b>RAP2-214</b>	<b>RAP3-214</b>		
	15.0	G 3/8	5/8	<b>RAP1-215</b>	<b>RAP2-215</b>	<b>RAP3-215</b>		
	16.0			<b>RAP1-216</b>	<b>RAP2-216</b>	<b>RAP3-216</b>		
	17.2			<b>RAP1-217.2</b>	<b>RAP2-217.2</b>	<b>RAP3-217.2</b>		
18.0	<b>RAP1-218</b>	<b>RAP2-218</b>	<b>RAP3-218</b>					
3	19.0	G 1/2	3/4	<b>RAP1-319</b>	<b>RAP2-319</b>	<b>RAP3-319</b>		
	20.0			<b>RAP1-320</b>	<b>RAP2-320</b>	<b>RAP3-320</b>		
	21.3			<b>RAP1-321.3</b>	<b>RAP2-321.3</b>	<b>RAP3-321.3</b>		
	22.0			<b>RAP1-322</b>	<b>RAP2-322</b>	<b>RAP3-322</b>		
	23.0			<b>RAP1-323</b>	<b>RAP2-323</b>	<b>RAP3-323</b>		
	25.0			<b>RAP1-325</b>	<b>RAP2-325</b>	<b>RAP3-325</b>		
4	26.9	G 3/4	1	<b>RAP1-426.9</b>	<b>RAP2-426.9</b>	<b>RAP3-426.9</b>		
	28.0			<b>RAP1-428</b>	<b>RAP2-428</b>	<b>RAP3-428</b>		
	30.0			<b>RAP1-430</b>	<b>RAP2-430</b>	<b>RAP3-430</b>		
5	32.0	G 1	1 1/4	<b>RAP1-532</b>	<b>RAP2-532</b>	<b>RAP3-532</b>		
	33.7			<b>RAP1-533.7</b>	<b>RAP2-533.7</b>	<b>RAP3-533.7</b>		
	35.0			<b>RAP1-535</b>	<b>RAP2-535</b>	<b>RAP3-535</b>		
	38.0	G 1 1/4	1 1/2	<b>RAP1-538</b>	<b>RAP2-538</b>	<b>RAP3-538</b>		
	40.0			<b>RAP1-540</b>	<b>RAP2-540</b>	<b>RAP3-540</b>		
	42.0			<b>RAP1-542</b>	<b>RAP2-542</b>	<b>RAP3-542</b>		
6	44.5	G 1 1/2	1 3/4	<b>RAP1-644.5</b>	<b>RAP2-644.5</b>	<b>RAP3-644.5</b>		
	45.0			<b>RAP1-645</b>	<b>RAP2-645</b>	<b>RAP3-645</b>		
	48.0			<b>RAP1-648</b>	<b>RAP2-648</b>	<b>RAP3-648</b>		
	50.0			<b>RAP1-650</b>	<b>RAP2-650</b>	<b>RAP3-650</b>		
	50.8			<b>RAP1-650.8</b>	<b>RAP2-650.8</b>	<b>RAP3-650.8</b>		
	52.0	2	2	<b>RAP1-652</b>	<b>RAP2-652</b>	<b>RAP3-652</b>		
	55.0			<b>RAP1-655</b>	<b>RAP2-655</b>	<b>RAP3-655</b>		
	57.0			<b>RAP1-657</b>	<b>RAP2-657</b>	<b>RAP3-657</b>		
				2 1/4	2 1/4			

**Delivery in unassembled individual components.**

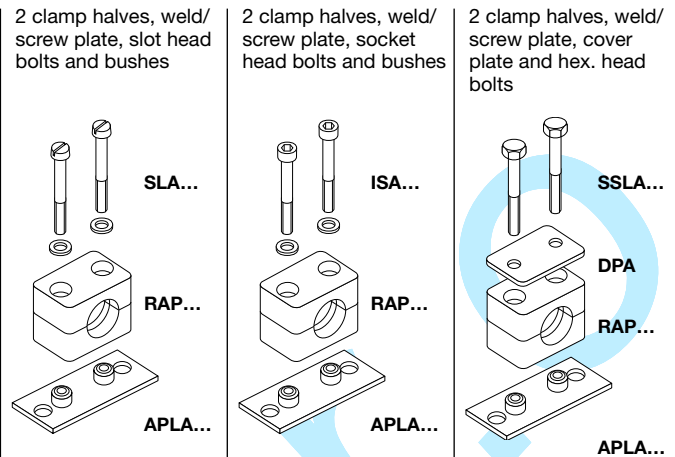
<sup>1)</sup> Contrary to the illustration size 0 clamps are secured by only one screw.

\* Only with cover plate, hexagon screws and locking washers.

**Tube clamps series A (Light construction series) – Complete range**

Polypropylene – **RAP**  
 Inside smooth – **RAPG**  
 Polyamide 6 – **RAN**  
 Inside smooth – **RANG**  
 Rubber – **RAVG\***  
 Aluminium – **RAA**

(As required please exchange standard abbreviation RAP in column for "Order code")



clamp size	Tube O.D. mm	Tube NB	Tube O.D.	Order code	Order code	Order code
0 <sup>1)</sup>	6.0	G 1/8	1/4	<b>RAP4-006</b>	<b>RAP5-006</b>	<b>RAP6-006</b>
	6.4			<b>RAP4-006.4</b>	<b>RAP5-006.4</b>	<b>RAP6-006.4</b>
	8.0			<b>RAP4-008</b>	<b>RAP5-008</b>	<b>RAP6-008</b>
	9.5		<b>RAP4-009.5</b>	<b>RAP5-009.5</b>	<b>RAP6-009.5</b>	
	10.0		<b>RAP4-010</b>	<b>RAP5-010</b>	<b>RAP6-010</b>	
	12.0		<b>RAP4-012</b>	<b>RAP5-012</b>	<b>RAP6-012</b>	
1	6.0	G 1/8	1/4	<b>RAP4-106</b>	<b>RAP5-106</b>	<b>RAP6-106</b>
	6.4			<b>RAP4-106.4</b>	<b>RAP5-106.4</b>	<b>RAP6-106.4</b>
	8.0			<b>RAP4-108</b>	<b>RAP5-108</b>	<b>RAP6-108</b>
	9.5		<b>RAP4-109.5</b>	<b>RAP5-109.5</b>	<b>RAP6-109.5</b>	
	10.0		<b>RAP4-110</b>	<b>RAP5-110</b>	<b>RAP6-110</b>	
	12.0		<b>RAP4-112</b>	<b>RAP5-112</b>	<b>RAP6-112</b>	
2	12.7	G 1/4	1/2	<b>RAP4-212.7</b>	<b>RAP5-212.7</b>	<b>RAP6-212.7</b>
	13.5			<b>RAP4-213.5</b>	<b>RAP5-213.5</b>	<b>RAP6-213.5</b>
	14.0			<b>RAP4-214</b>	<b>RAP5-214</b>	<b>RAP6-214</b>
	15.0	G 3/8	5/8	<b>RAP4-215</b>	<b>RAP5-215</b>	<b>RAP6-215</b>
	16.0			<b>RAP4-216</b>	<b>RAP5-216</b>	<b>RAP6-216</b>
	17.2			<b>RAP4-217.2</b>	<b>RAP5-217.2</b>	<b>RAP6-217.2</b>
18.0	<b>RAP4-218</b>	<b>RAP5-218</b>	<b>RAP6-218</b>			
3	19.0	G 1/2	3/4	<b>RAP4-319</b>	<b>RAP5-319</b>	<b>RAP6-319</b>
	20.0			<b>RAP4-320</b>	<b>RAP5-320</b>	<b>RAP6-320</b>
	21.3			<b>RAP4-321.3</b>	<b>RAP5-321.3</b>	<b>RAP6-321.3</b>
	22.0		1	<b>RAP4-322</b>	<b>RAP5-322</b>	<b>RAP6-322</b>
	23.0			<b>RAP4-323</b>	<b>RAP5-323</b>	<b>RAP6-323</b>
	25.0			<b>RAP4-325</b>	<b>RAP5-325</b>	<b>RAP6-325</b>
4	26.9	G 3/4		<b>RAP4-426.9</b>	<b>RAP5-426.9</b>	<b>RAP6-426.9</b>
	28.0			<b>RAP4-428</b>	<b>RAP5-428</b>	<b>RAP6-428</b>
	30.0			<b>RAP4-430</b>	<b>RAP5-430</b>	<b>RAP6-430</b>
5	32.0	G 1	1 1/4	<b>RAP4-532</b>	<b>RAP5-532</b>	<b>RAP6-532</b>
	33.7			<b>RAP4-533.7</b>	<b>RAP5-533.7</b>	<b>RAP6-533.7</b>
	35.0			<b>RAP4-535</b>	<b>RAP5-535</b>	<b>RAP6-535</b>
	38.0	G 1 1/4	1 1/2	<b>RAP4-538</b>	<b>RAP5-538</b>	<b>RAP6-538</b>
	40.0			<b>RAP4-540</b>	<b>RAP5-540</b>	<b>RAP6-540</b>
	42.0			<b>RAP4-542</b>	<b>RAP5-542</b>	<b>RAP6-542</b>
6	44.5	G 1 1/2	1 3/4	<b>RAP4-644.5</b>	<b>RAP5-644.5</b>	<b>RAP6-644.5</b>
	45.0			<b>RAP4-645</b>	<b>RAP5-645</b>	<b>RAP6-645</b>
	48.0			<b>RAP4-648</b>	<b>RAP5-648</b>	<b>RAP6-648</b>
	50.0	2	2	<b>RAP4-650</b>	<b>RAP5-650</b>	<b>RAP6-650</b>
	50.8			<b>RAP4-650.8</b>	<b>RAP5-650.8</b>	<b>RAP6-650.8</b>
	52.0			<b>RAP4-652</b>	<b>RAP5-652</b>	<b>RAP6-652</b>
	55.0	2 1/4	2 1/4	<b>RAP4-655</b>	<b>RAP5-655</b>	<b>RAP6-655</b>
	57.0			<b>RAP4-657</b>	<b>RAP5-657</b>	<b>RAP6-657</b>

**Delivery in unassembled individual components.**

<sup>1)</sup> Contrary to the illustration size 0 clamps are secured by only one screw.

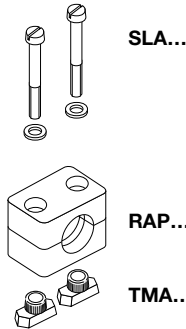
\* Only with cover plate, hexagon screws and locking washers.

**Tube clamps series A (Light construction series) – Complete range**

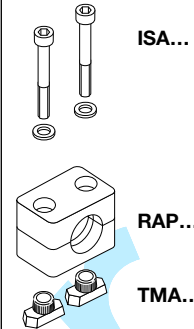
Polypropylene – **RAP**  
 Inside smooth – **RAPG**  
 Polyamide 6 – **RAN**  
 Inside smooth – **RANG**  
 Rubber – **RAVG\***  
 Aluminium – **RAA**

(As required please exchange standard abbreviation RAP in column for “Order code”)

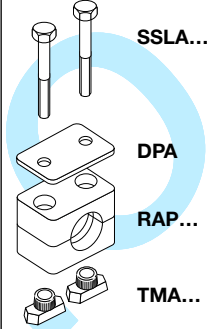
2 clamp halves, rail nuts, slot head bolts and bushes



2 clamp halves, rail nuts, socket head bolts and bushes



2 clamp halves, rail nuts, cover plate and hex. head bolts



clamp size	Tube O.D. mm	Tube NB	Tube O.D.	Order code	Order code	Order code
0 <sup>1)</sup>	6.0	G 1/8	1/4	<b>RAP9-006</b>	<b>RAP10-006</b>	<b>RAP12-006</b>
	6.4			<b>RAP9-006.4</b>	<b>RAP10-006.4</b>	<b>RAP12-006.4</b>
	8.0			<b>RAP9-008</b>	<b>RAP10-008</b>	<b>RAP12-008</b>
	9.5		<b>RAP9-009.5</b>	<b>RAP10-009.5</b>	<b>RAP12-009.5</b>	
	10.0		<b>RAP9-010</b>	<b>RAP10-010</b>	<b>RAP12-010</b>	
	12.0		<b>RAP9-012</b>	<b>RAP10-012</b>	<b>RAP12-012</b>	
1	6.0	G 1/8	1/4	<b>RAP9-106</b>	<b>RAP10-106</b>	<b>RAP12-106</b>
	6.4			<b>RAP9-106.4</b>	<b>RAP10-106.4</b>	<b>RAP12-106.4</b>
	8.0			<b>RAP9-108</b>	<b>RAP10-108</b>	<b>RAP12-108</b>
	9.5		<b>RAP9-109.5</b>	<b>RAP10-109.5</b>	<b>RAP12-109.5</b>	
	10.0		<b>RAP9-110</b>	<b>RAP10-110</b>	<b>RAP12-110</b>	
	12.0		<b>RAP9-112</b>	<b>RAP10-112</b>	<b>RAP12-112</b>	
2	12.7	G 1/4	1/2	<b>RAP9-212.7</b>	<b>RAP10-212.7</b>	<b>RAP12-212.7</b>
	13.5			<b>RAP9-213.5</b>	<b>RAP10-213.5</b>	<b>RAP12-213.5</b>
	14.0			<b>RAP9-214</b>	<b>RAP10-214</b>	<b>RAP12-214</b>
	15.0	G 3/8	5/8	<b>RAP9-215</b>	<b>RAP10-215</b>	<b>RAP12-215</b>
	16.0			<b>RAP9-216</b>	<b>RAP10-216</b>	<b>RAP12-216</b>
	17.2			<b>RAP9-217.2</b>	<b>RAP10-217.2</b>	<b>RAP12-217.2</b>
18.0	<b>RAP9-218</b>	<b>RAP10-218</b>	<b>RAP12-218</b>			
3	19.0	G 1/2	3/4	<b>RAP9-319</b>	<b>RAP10-319</b>	<b>RAP12-319</b>
	20.0			<b>RAP9-320</b>	<b>RAP10-320</b>	<b>RAP12-320</b>
	21.3			<b>RAP9-321.3</b>	<b>RAP10-321.3</b>	<b>RAP12-321.3</b>
	22.0		1	<b>RAP9-322</b>	<b>RAP10-322</b>	<b>RAP12-322</b>
	23.0			<b>RAP9-323</b>	<b>RAP10-323</b>	<b>RAP12-323</b>
	25.0			<b>RAP9-325</b>	<b>RAP10-325</b>	<b>RAP12-325</b>
4	26.9	G 3/4	1	<b>RAP9-426.9</b>	<b>RAP10-426.9</b>	<b>RAP12-426.9</b>
	28.0			<b>RAP9-428</b>	<b>RAP10-428</b>	<b>RAP12-428</b>
	30.0			<b>RAP9-430</b>	<b>RAP10-430</b>	<b>RAP12-430</b>
5	32.0	G 1	1 1/4	<b>RAP9-532</b>	<b>RAP10-532</b>	<b>RAP12-532</b>
	33.7			<b>RAP9-533.7</b>	<b>RAP10-533.7</b>	<b>RAP12-533.7</b>
	35.0			<b>RAP9-535</b>	<b>RAP10-535</b>	<b>RAP12-535</b>
	38.0	G 1 1/4	1 1/2	<b>RAP9-538</b>	<b>RAP10-538</b>	<b>RAP12-538</b>
	40.0			<b>RAP9-540</b>	<b>RAP10-540</b>	<b>RAP12-540</b>
	42.0			<b>RAP9-542</b>	<b>RAP10-542</b>	<b>RAP12-542</b>
6	44.5	G 1 1/2	1 3/4	<b>RAP9-644.5</b>	<b>RAP10-644.5</b>	<b>RAP12-644.5</b>
	45.0			<b>RAP9-645</b>	<b>RAP10-645</b>	<b>RAP12-645</b>
	48.0			<b>RAP9-648</b>	<b>RAP10-648</b>	<b>RAP12-648</b>
	50.0	2	2	<b>RAP9-650</b>	<b>RAP10-650</b>	<b>RAP12-650</b>
	50.8			<b>RAP9-650.8</b>	<b>RAP10-650.8</b>	<b>RAP12-650.8</b>
	52.0			<b>RAP9-652</b>	<b>RAP10-652</b>	<b>RAP12-652</b>
	55.0	2 1/4	2 1/4	<b>RAP9-655</b>	<b>RAP10-655</b>	<b>RAP12-655</b>
	55.0			<b>RAP9-655</b>	<b>RAP10-655</b>	<b>RAP12-655</b>
	57.0			<b>RAP9-657</b>	<b>RAP10-657</b>	<b>RAP12-657</b>

**Delivery in unassembled individual components.**

<sup>1)</sup> Contrary to the illustration size 0 clamps are secured by only one screw.

\* Only with cover plate, hexagon screws and locking washers.

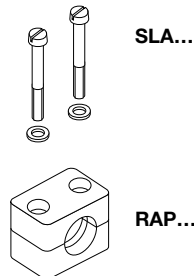


**Tube clamps series A – Complete range**

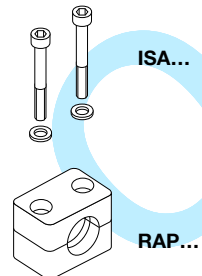
Polypropylene – **RAP**  
 Inside smooth – **RAPG**  
 Polyamide 6 – **RAN**  
 Inside smooth – **RANG**  
 Rubber – **RAVG\***  
 Aluminium – **RAA**

(As required please exchange standard abbreviation RAP in column for "Order code")

2 clamp halves, slot heads and bushes



2 clamp halves, socket head bolts and bushes



clamp size	Tube O.D. mm	Tube NB	Tube O.D.	Order code	Order code
0 <sup>1)</sup>	6.0	G 1/8	1/4	<b>RAP13-006</b>	<b>RAP14-006</b>
	6.4			<b>RAP13-006.4</b>	<b>RAP14-006.4</b>
	8.0			<b>RAP13-008</b>	<b>RAP14-008</b>
	9.5			<b>RAP13-009.5</b>	<b>RAP14-009.5</b>
	10.0			<b>RAP13-010</b>	<b>RAP14-010</b>
	12.0			<b>RAP13-012</b>	<b>RAP14-012</b>
1	6.0	G 1/8	1/4	<b>RAP13-106</b>	<b>RAP14-106</b>
	6.4			<b>RAP13-106.4</b>	<b>RAP14-106.4</b>
	8.0			<b>RAP13-108</b>	<b>RAP14-108</b>
	9.5			<b>RAP13-109.5</b>	<b>RAP14-109.5</b>
	10.0			<b>RAP13-110</b>	<b>RAP14-110</b>
	12.0			<b>RAP13-112</b>	<b>RAP14-112</b>
2	12.7	G 1/4	1/2	<b>RAP13-212.7</b>	<b>RAP14-212.7</b>
	13.5			<b>RAP13-213.5</b>	<b>RAP14-213.5</b>
	14.0			<b>RAP13-214</b>	<b>RAP14-214</b>
	15.0	G 3/8	5/8	<b>RAP13-215</b>	<b>RAP14-215</b>
	16.0			<b>RAP13-216</b>	<b>RAP14-216</b>
	17.2			<b>RAP13-217.2</b>	<b>RAP14-217.2</b>
18.0	<b>RAP13-218</b>	<b>RAP14-218</b>			
3	19.0	G 1/2	3/4	<b>RAP13-319</b>	<b>RAP14-319</b>
	20.0			<b>RAP13-320</b>	<b>RAP14-320</b>
	21.3			<b>RAP13-321.3</b>	<b>RAP14-321.3</b>
	22.0			<b>RAP13-322</b>	<b>RAP14-322</b>
	23.0			<b>RAP13-323</b>	<b>RAP14-323</b>
	25.0			<b>RAP13-325</b>	<b>RAP14-325</b>
4	26.9	G 3/4	1	<b>RAP13-426.9</b>	<b>RAP14-426.9</b>
	28.0			<b>RAP13-428</b>	<b>RAP14-428</b>
	30.0			<b>RAP13-430</b>	<b>RAP14-430</b>
5	32.0	G 1	1 1/4	<b>RAP13-532</b>	<b>RAP14-532</b>
	33.7			<b>RAP13-533.7</b>	<b>RAP14-533.7</b>
	35.0			<b>RAP13-535</b>	<b>RAP14-535</b>
	38.0	G 1 1/4	1 1/2	<b>RAP13-538</b>	<b>RAP14-538</b>
	40.0			<b>RAP13-540</b>	<b>RAP14-540</b>
	42.0			<b>RAP13-542</b>	<b>RAP14-542</b>
6	44.5	G 1 1/2	1 3/4	<b>RAP13-644.5</b>	<b>RAP14-644.5</b>
	45.0			<b>RAP13-645</b>	<b>RAP14-645</b>
	48.0			<b>RAP13-648</b>	<b>RAP14-648</b>
	50.0			<b>RAP13-650</b>	<b>RAP14-650</b>
	50.8		2	<b>RAP13-650.8</b>	<b>RAP14-650.8</b>
	52.0			<b>RAP13-652</b>	<b>RAP14-652</b>
	55.0			<b>RAP13-655</b>	<b>RAP14-655</b>
	57.0			<b>RAP13-657</b>	<b>RAP14-657</b>
			2 1/4		

**Delivery in unassembled individual components.**

<sup>1)</sup> Contrary to the illustration size 0 clamps are secured by only one screw.

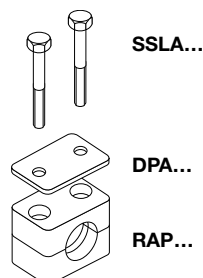
\* Only with cover plate, hexagon screws and locking washers.

## Tube clamps series A – Complete range

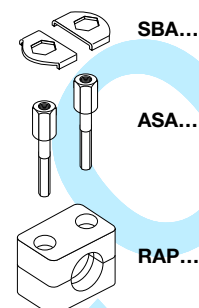
Polypropylene – **RAP**  
 Inside smooth – **RAPG**  
 Polyamide 6 – **RAN**  
 Inside smooth – **RANG**  
 Rubber – **RAVG\***  
 Aluminium – **RAA**

(As required please exchange standard abbreviation RAP in column for "Order code")

2 clamp halves, cover plate and hex. head bolts



2 clamp halves, stacking bolts and locking plate



clamp size	Tube O.D. mm	Tube NB	Tube O.D.	Order code	Order code
0 <sup>1)</sup>	6.0	G 1/8	1/4	<b>RAP16-006</b>	<b>RAP18-006</b>
	6.4			<b>RAP16-006.4</b>	<b>RAP18-006.4</b>
	8.0			<b>RAP16-008</b>	<b>RAP18-008</b>
	9.5			<b>RAP16-009.5</b>	<b>RAP18-009.5</b>
	10.0			<b>RAP16-010</b>	<b>RAP18-010</b>
	12.0			<b>RAP16-012</b>	<b>RAP18-012</b>
1	6.0	G 1/8	1/4	<b>RAP16-106</b>	<b>RAP18-106</b>
	6.4			<b>RAP16-106.4</b>	<b>RAP18-106.4</b>
	8.0			<b>RAP16-108</b>	<b>RAP18-108</b>
	9.5			<b>RAP16-109.5</b>	<b>RAP18-109.5</b>
	10.0			<b>RAP16-110</b>	<b>RAP18-110</b>
	12.0			<b>RAP16-112</b>	<b>RAP18-112</b>
2	12.7	G 1/4	1/2	<b>RAP16-212.7</b>	<b>RAP18-212.7</b>
	13.5			<b>RAP16-213.5</b>	<b>RAP18-213.5</b>
	14.0			<b>RAP16-214</b>	<b>RAP18-214</b>
	15.0	G 3/8	5/8	<b>RAP16-215</b>	<b>RAP18-215</b>
	16.0			<b>RAP16-216</b>	<b>RAP18-216</b>
	17.2			<b>RAP16-217.2</b>	<b>RAP18-217.2</b>
18.0	<b>RAP16-218</b>	<b>RAP18-218</b>			
3	19.0	G 1/2	3/4	<b>RAP16-319</b>	<b>RAP18-319</b>
	20.0			<b>RAP16-320</b>	<b>RAP18-320</b>
	21.3			<b>RAP16-321.3</b>	<b>RAP18-321.3</b>
	22.0			<b>RAP16-322</b>	<b>RAP18-322</b>
	23.0			<b>RAP16-323</b>	<b>RAP18-323</b>
	25.0			<b>RAP16-325</b>	<b>RAP18-325</b>
4	26.9	G 3/4	1	<b>RAP16-426.9</b>	<b>RAP18-426.9</b>
	28.0			<b>RAP16-428</b>	<b>RAP18-428</b>
	30.0			<b>RAP16-430</b>	<b>RAP18-430</b>
5	32.0	G 1	1 1/4	<b>RAP16-532</b>	<b>RAP18-532</b>
	33.7			<b>RAP16-533.7</b>	<b>RAP18-533.7</b>
	35.0			<b>RAP16-535</b>	<b>RAP18-535</b>
	38.0	G 1 1/4	1 1/2	<b>RAP16-538</b>	<b>RAP18-538</b>
	40.0			<b>RAP16-540</b>	<b>RAP18-540</b>
	42.0			<b>RAP16-542</b>	<b>RAP18-542</b>
6	44.5	G 1 1/2	1 3/4	<b>RAP16-644.5</b>	<b>RAP18-644.5</b>
	45.0			<b>RAP16-645</b>	<b>RAP18-645</b>
	48.0			<b>RAP16-648</b>	<b>RAP18-648</b>
	50.0			<b>RAP16-650</b>	<b>RAP18-650</b>
	50.8	2	2	<b>RAP16-650.8</b>	<b>RAP18-650.8</b>
	52.0			<b>RAP16-652</b>	<b>RAP18-652</b>
	55.0			<b>RAP16-655</b>	<b>RAP18-655</b>
	57.0			<b>RAP16-657</b>	<b>RAP18-657</b>
			2 1/4		

### Delivery in unassembled individual components.

<sup>1)</sup> Contrary to the illustration size 0 clamps are secured by only one screw.

\* Only with cover plate, hexagon screws and locking washers.

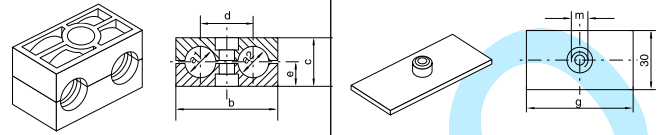
**Tube clamps series B (Twin-tube clamps) – Components**

DIN 3015, part 3

**Order code for clamp halves:**

 Polypropylene – **RBP**  
 Inside smooth – **RBPG**  
 Polyamide 6 – **RBN**  
 Rubber – **RBVG**

(Please exchange standard abbreviation RBP in column for “clamp halves” as required.)



clamp size	Tube O.D. mm	Tube NB	Tube O.D.	1 part 2 clamp halves <sup>1)</sup>		weld plate	
				RBP... Order code	dimensions: b c d e	APB... Order code	dimensions: g m
1	6.0	G 1/8	1/4 5/16 3/8	<b>RBP106X</b> <b>RBP106.4X</b> <b>RBP108X</b> <b>RBP109.5X</b> <b>RBP110X</b> <b>RBP112X</b>	36 27 20 13.5	<b>APB1X</b>	37 M8  Thickness: 3 mm
	6.4						
	8.0						
	9.5						
	10.0						
12.0							
2	12.7	G 1/4	1/2	<b>RBP212.7X</b> <b>RBP213.5X</b> <b>RBP214X</b> <b>RBP215X</b> <b>RBP216X</b> <b>RBP217.2X</b> <b>RBP218X</b>	53 26 29 13	<b>APB2X</b>	55 M8  Thickness: 5 mm
	13.5						
	14.0						
	15.0	G 3/8	5/8				
	16.0						
	17.2						
18.0							
3	19.0	G 1/2	3/4	<b>RBP319X</b> <b>RBP320X</b> <b>RBP321.3X</b> <b>RBP322X</b> <b>RBP325X</b>	67 37 36 18.5	<b>APB3X</b>	70 M8  Thickness: 5 mm
	20.0						
	21.3		1				
	22.0						
	25.0						
4	26.9	G 3/4	1 1/4	<b>RBP426.9X</b> <b>RBP428X</b> <b>RBP430X</b>	82 42 45 21	<b>APB4X</b>	85 M8 Thickness: 5 mm
	28.0						
	30.0						
5	32.0	G 1	1 1/4	<b>RBP532X</b> <b>RBP533.7X</b> <b>RBP535X</b> <b>RBP538X</b> <b>RBP542X</b>	106 54 56 27	<b>APB5X</b>	110 M8  Thickness: 5 mm
	33.7						
	35.0	G 1 1/4	1 1/2				
	38.0						
	42.0						

Metal parts also available in stainless steel.

<sup>1)</sup> Twin-tube clamps with different outer tube diameters upon request.

## Tube clamps

### Tube clamps series B (Twin-tube clamps) – Components

DIN 3015, part 3

clamp size	weld plate, angled		mounting rail		rail nut					
	APW A... Order code	dimensions: d e Thickness:	TS...A/B Order code	dimensions: h	TM...A/B1 Order code	dimensions: a b c m				
1	<b>APRB1X</b> (5 clamps)	40 196 Thickness: 3 mm	<b>TS11A/B1X</b> <b>TS11A/B2X</b> <b>TS14A/B1X</b> <b>TS14A/B2X</b> <b>TS30A/B1X</b> <b>TS30A/B2X</b>	TS11: 11 TS14: 14 TS30: 30	<b>TMA/TMB1VERZX</b>	25.4	10.4	12	M6	
2	<b>APRB2X</b> (5 clamps)	58 288 Thickness: 5 mm			<b>TMB2X</b>	25.4	10.4	12	M8	
3	<b>APRB3X</b> (5 clamps)	72 358 Thickness: 5 mm								
4	<b>APRB4X</b> (5 clamps)	90 446 Thickness: 5 mm								
5	<b>APRB5X</b> (5 clamps)	112 558 Thickness: 5 mm								

### Tube clamps series B (Twin-tube clamps) – Components

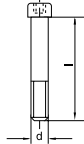
DIN 3015, part 3

clamp size	cover plate		hexagonal head	
	DP B... Order code	dimensions: b d	SS B... Order code	dimensions: d x L
1	<b>DPB1X</b>	34 6.6	<b>SSLA2/SSB1X</b>	M 06x35
2	<b>DPB2X</b>	51 8.6	<b>SSB2X</b>	M 08x35
3	<b>DPB3X</b>	64 8.6	<b>SSB3X</b>	M 08x45
4	<b>DPB4X</b>	78 8.6	<b>SSB4X</b>	M 08x50
5	<b>DPB5X</b>	102 8.6	<b>SSB5X</b>	M 08x60

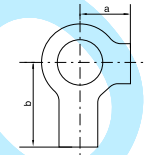
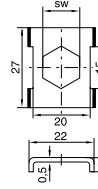
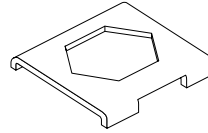
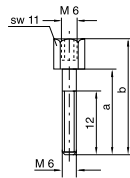
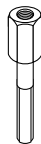
Metal parts also available in stainless steel.

**Tube clamps series B (Twin-tube clamps) – Components**

DIN 3015, part 3



DIN 912



clamp size	socket head		stacking				locking plate <sup>1)</sup>		locking washer <sup>2)</sup>			
	IS B... Order code	dimensions: d x L	AS B... Order code	dimensions:			SB B... Order code	dim.: SW	US... Order code	dimensions:		
				a	b	m	SW			a	b	
1	<b>ISA4X (ISB1X)</b>	M 06x35	<b>ASA0X (ASB1X)</b>	20	34	M6	11	<b>SBB1X</b>	11	<b>USA/USB1X</b>	9	18
2	<b>ISB2X</b>	M 08x35	<b>ASB2X</b>	20	33	M8	12	<b>SBB2X</b>	12	<b>USB2X</b>	11	20
3	<b>ISB3X</b>	M 08x45	<b>ASB3X</b>	29	44	M8	12					
4	<b>ISB4X</b>	M 08x50	<b>ASB4X</b>	34	49	M8	12					
5	<b>ISB5X</b>	M 08x60	<b>ASB5X</b>	47	62	M8	12					

<sup>1)</sup> The use of stacking screws necessitates the use of locking plates in the construction assembly!

<sup>2)</sup> When assembling solid rubber clamps, covering plates, hexagon screws and locking washers must be used. Metal parts also available in stainless steel.

KONVEX

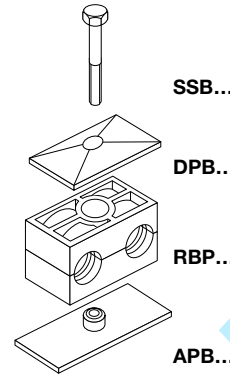


Tube clamps series B – Complete range

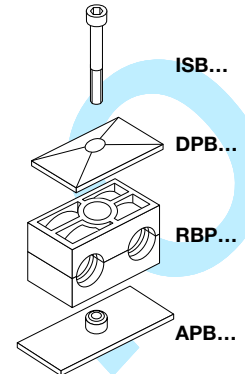
Polypropylene – **RBP**  
 Inside smooth – **RBPG**  
 Polyamide 6 – **RBN**  
 Rubber – **RBVG\***

(As required please exchange standard abbreviation RBP in column for "Order code")

2 clamp halves, weld plate, cover plate, hex. head bolt



2 clamp halves, weld plate, cover plate, socket head bolt



clamp size	Tube O.D. mm	Tube NB	Tube O.D.	Order code	Order code
1	6.0	G 1/8	1/4 5/16 3/8	<b>RBP1-106</b>	<b>RBP3-106</b>
	6.4			<b>RBP1-106.4</b>	<b>RBP3-106.4</b>
	8.0			<b>RBP1-108</b>	<b>RBP3-108</b>
	9.5			<b>RBP1-109.5</b>	<b>RBP3-109.5</b>
	10.0			<b>RBP1-110</b>	<b>RBP3-110</b>
	12.0			<b>RBP1-112</b>	<b>RBP3-112</b>
2	12.7	G 1/4 G 3/8	1/2 5/8	<b>RBP1-212.7</b>	<b>RBP3-212.7</b>
	13.5			<b>RBP1-213.5</b>	<b>RBP3-213.5</b>
	14.0			<b>RBP1-214</b>	<b>RBP3-214</b>
	15.0			<b>RBP1-215</b>	<b>RBP3-215</b>
	16.0			<b>RBP1-216</b>	<b>RBP3-216</b>
	17.2			<b>RBP1-217.2</b>	<b>RBP3-217.2</b>
18.0	<b>RBP1-218</b>	<b>RBP3-218</b>			
3	19.0	G 1/2	3/4 1	<b>RBP1-319</b>	<b>RBP3-319</b>
	20.0			<b>RBP1-320</b>	<b>RBP3-320</b>
	21.3			<b>RBP1-321.3</b>	<b>RBP3-321.3</b>
	22.0			<b>RBP1-322</b>	<b>RBP3-322</b>
	25.0			<b>RBP1-325</b>	<b>RBP3-325</b>
4	26.9	G 3/4	1 1/4	<b>RBP1-426.9</b>	<b>RBP3-426.9</b>
	28.0			<b>RBP1-428</b>	<b>RBP3-428</b>
	30.0			<b>RBP1-430</b>	<b>RBP3-430</b>
5	32.0	G 1 G 1 1/4	1 1/4 1 1/2	<b>RBP1-532</b>	<b>RBP3-532</b>
	33.7			<b>RBP1-533.7</b>	<b>RBP3-533.7</b>
	35.0			<b>RBP1-535</b>	<b>RBP3-535</b>
	38.0			<b>RBP1-538</b>	<b>RBP3-538</b>
	42.0			<b>RBP1-542</b>	<b>RBP3-542</b>

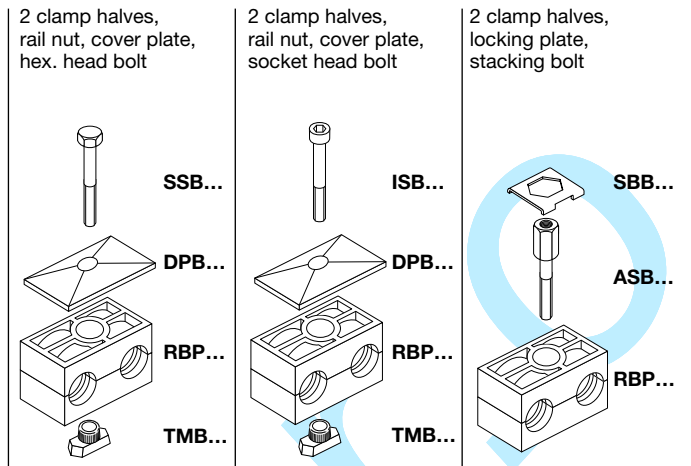
Delivery in unassembled individual components.

\*Only with cover plate, hexagon screws and locking washers.

**Tube clamps series B – Complete range**

Polypropylene – **RBP**  
 Inside smooth – **RBPG**  
 Polyamide 6 – **RBN**  
 Rubber – **RBVG\***

(As required please exchange standard abbreviation RBP in column for "Order code")



clamp size	Tube O.D. mm	Tube NB	Tube O.D.	Order code	Order code	Order code	
1	6.0	G 1/8	1/4	<b>RBP4-106</b>	<b>RBP5-106</b>	<b>RBP8-106</b>	
	6.4			<b>RBP4-106.4</b>	<b>RBP5-106.4</b>	<b>RBP8-106.4</b>	
	8.0			<b>RBP4-108</b>	<b>RBP5-108</b>	<b>RBP8-108</b>	
	9.5			<b>RBP4-109.5</b>	<b>RBP5-109.5</b>	<b>RBP8-109.5</b>	
	10.0			<b>RBP4-110</b>	<b>RBP5-110</b>	<b>RBP8-110</b>	
	12.0			<b>RBP4-112</b>	<b>RBP5-112</b>	<b>RBP8-112</b>	
2	12.7	G 1/4	1/2	<b>RBP4-212.7</b>	<b>RBP5-212.7</b>	<b>RBP8-212.7</b>	
	13.5			<b>RBP4-213.5</b>	<b>RBP5-213.5</b>	<b>RBP8-213.5</b>	
	14.0			<b>RBP4-214</b>	<b>RBP5-214</b>	<b>RBP8-214</b>	
	15.0			<b>RBP4-215</b>	<b>RBP5-215</b>	<b>RBP8-215</b>	
	16.0	G 3/8	5/8	<b>RBP4-216</b>	<b>RBP5-216</b>	<b>RBP8-216</b>	
	17.2			<b>RBP4-217.2</b>	<b>RBP5-217.2</b>	<b>RBP8-217.2</b>	
	18.0			<b>RBP4-218</b>	<b>RBP5-218</b>	<b>RBP8-218</b>	
3	19.0	G 1/2	3/4	<b>RBP4-319</b>	<b>RBP5-319</b>	<b>RBP8-319</b>	
	20.0			<b>RBP4-320</b>	<b>RBP5-320</b>	<b>RBP8-320</b>	
	21.3			<b>RBP4-321.3</b>	<b>RBP5-321.3</b>	<b>RBP8-321.3</b>	
	22.0			<b>RBP4-322</b>	<b>RBP5-322</b>	<b>RBP8-322</b>	
	25.0			<b>RBP4-325</b>	<b>RBP5-325</b>	<b>RBP8-325</b>	
4	26.9	G 3/4	1	<b>RBP4-426.9</b>	<b>RBP5-426.9</b>	<b>RBP8-426.9</b>	
	28.0			<b>RBP4-428</b>	<b>RBP5-428</b>	<b>RBP8-428</b>	
	30.0			<b>RBP4-430</b>	<b>RBP5-430</b>	<b>RBP8-430</b>	
5	32.0	G 1	1 1/4	<b>RBP4-532</b>	<b>RBP5-532</b>	<b>RBP8-532</b>	
	33.7			<b>RBP4-533.7</b>	<b>RBP5-533.7</b>	<b>RBP8-533.7</b>	
	35.0			<b>RBP4-535</b>	<b>RBP5-535</b>	<b>RBP8-535</b>	
	38.0		G 1 1/4	1 1/2	<b>RBP4-538</b>	<b>RBP5-538</b>	<b>RBP8-538</b>
	42.0				<b>RBP4-542</b>	<b>RBP5-542</b>	<b>RBP8-542</b>

**Delivery in unassembled individual components.**

\*Only with cover plate, hexagon screws and locking washers.

KO

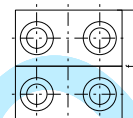
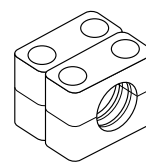
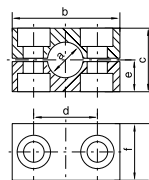
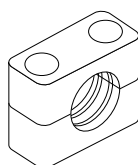
T

**Tube clamps series C (Heavy series) – Components**

DIN 3015, part 2

**Order code for clamp halves:**

 Polypropylene – **RCP**  
 Inside smooth – **RCPG<sup>1)</sup>**  
 Polyamide 6 – **RCN<sup>1)</sup>**  
 Rubber – **RCVR**  
 Aluminium – **RCA**

 (Please exchange as required standard abbreviation  
 RCP in column for “clamp halves”)

**RCPD**  
 (= 2XRCP...)

clamp size	Tube O.D. mm	Tube NB	Tube O.D.	1 part 2 clamp halves						1 part 4 clamp halves																		
				RCP... Order code	dimensions: b c d e f					RCPD... Order code	dimensions: b c d e f																	
1	6.0	G 1/8	5/16	RCP106X	55	32	33	16	30	RCPD106	55	32	33	16	60													
	8.0			RCP108X						RCPD108																		
	10.0			RCP110X						RCPD110																		
	12.0			RCP112X						RCPD112																		
	12.7			RCP112.7X						RCPD112.7																		
	13.5	G 1/4	1/2	RCP113.5X						RCPD113.5																		
	14.0			RCP114X						RCPD114																		
	15.0			RCP115X						RCPD115																		
	16.0			RCP116X						RCPD116																		
	17.2			RCP117.2X						RCPD117.2																		
18.0	RCP118X	RCPD118																										
2	19.0	G 1/2	3/4	RCP219X	70	48	45	24	30	RCPD219	70	48	45	24	60													
	20.0			RCP220X						RCPD220																		
	21.3			RCP221.3X						RCPD221.3																		
	22.0			RCP222X						RCPD222																		
	23.0			RCP223X						RCPD223																		
	25.0	G 3/4	1	RCP225X						RCPD225																		
	26.9			RCP226.9X						RCPD226.9																		
	28.0			RCP228X						RCPD228																		
	30.0			RCP230X						RCPD230																		
	3			30.0						G 1						1 1/4	RCP330X	85	60	60	30	30	RCPD330	85	60	60	30	60
32.0		RCP332X	RCPD332																									
33.7		RCP333.7X	RCPD333.7																									
35.0		RCP335X	RCPD335																									
38.0		RCP338X	RCPD338																									
39.0		G 1 1/4	1 1/2	RCP339X	RCPD339																							
40.0				RCP340X	RCPD340																							
42.0				RCP342X	RCPD342																							
4				38.0	G 1 1/4	1 1/2	RCP438X	115	90	90	45	45	RCPD438	115	90	90	45						90					
				39.0			RCP439X						RCPD439															
	40.0	RCP440X	RCPD440																									
	42.0	RCP442X	RCPD442																									
	45.0	RCP445X	RCPD445																									
	46.0	G 1 1/2	2	RCP446X	RCPD446																							
	48.3			RCP448.3X	RCPD448.3																							
	50.0			RCP450X	RCPD450																							
	51.0			RCP451X	RCPD451																							
	52.0			RCP452X	RCPD452																							
55.0	G 2	2 1/4	RCP455X	RCPD455																								
56.0			RCP456X	RCPD456																								
57.0			RCP457X	RCPD457																								
60.3			RCP460.3X	RCPD460.3																								
63.0			2 1/2	RCP463X	RCPD463																							
65.0	RCP465X	RCPD465																										
66.0	RCP466X	RCPD466																										

Continuation see next page ...



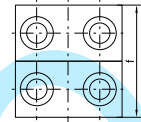
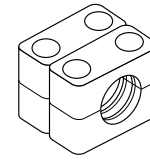
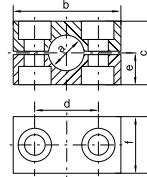
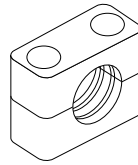
**Tube clamps series C (Heavy series) – Components (Continued)**

DIN 3015, part 2

**Order code for clamp halves:**

- Polypropylene – **RCP**
- Inside smooth – **RCPG<sup>1)</sup>**
- Polyamide 6 – **RCN<sup>1)</sup>**
- Rubber – **RCVR**
- Aluminium – **RCA**

(Please exchange as required standard abbreviation  
RCP in column for “clamp halves”)


**RCPD**  
(= 2XRCP...)

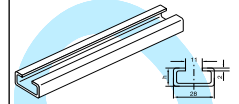
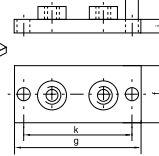
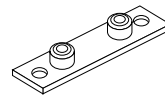
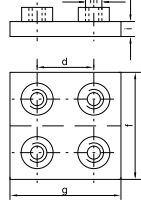
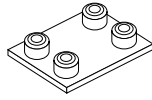
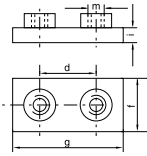
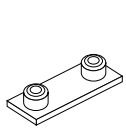
clamp size	Tube O.D. mm	Tube NB	Tube O.D.	1 part 2 clamp halves					1 part 4 clamp halves						
				RCP... Order code	dimensions:					RCPD... Order code	dimensions:				
				b	c	d	e	f	b	c	d	e	f		
5	70.0	G 2 1/2	3	RCP470X	152	120	122	60	60	RCPD470	152	120	122	60	120
	70.0			RCP570X						RCPD570					
	73.0			RCP573X						RCPD573					
	75.0			RCP575X						RCPD575					
	76.1			RCP576.1X						RCPD576.1					
	80.0	RCP580X	RCPD580												
	82.5	RCP582.5X	RCPD582.5												
	88.9	RCP588.9X	RCPD588.9												
	90.0	RCP590X	RCPD590												
6	90.0	G 3 1/2	4	RCP690X	205	170	168	85	80	RCPD690	205	170	168	85	160
	97.0			RCP697X						RCPD697					
	100.0			RCP6100X						RCPD6100					
	101.6	RCP6101.6X	RCPD6101.6												
	108.0	RCP6108X	RCPD6108												
	114.3	RCP6114.3X	RCPD6114.3												
	127.0	RCP6127X	RCPD6127												
7	127.0	G 5	5	RCP7127X	250	200	205	100	90	RCPD7127	250	200	205	100	180
	133.0			RCP7133X						RCPD7133					
	140.0			RCP7140X						RCPD7140					
	150.0	RCP7150X	RCPD7150												
	152.4	RCP7152.4X	RCPD7152.4												
	159.0	RCP7159X	RCPD7159												
	165.1	RCP7165.1X	RCPD7165.1												
	168.3	RCP7168.3X	RCPD7168.3												
	8	168.3	G 6	6 5/8						RCP8168.3X					
177.8		RCP8177.8X			RCPD8177.8										
193.7		RCP8193.7X	RCPD8193.7												
203.0		RCP8203X	RCPD8203												
219.1		RCP8219.1X	RCPD8219.1												
220.0		RCP8220X	RCPD8220												
9	219.1	G 8	8 5/8	RCP9219.1X	466	410	395	205	160	RCPD9219.1	466	410	395	205	320
	244.5			RCP9244.5X						RCPD9244.5					
	250.0			RCP9250X						RCPD9250					
	273.0			RCP9273X						RCPD9273					
	323.9			RCP9323.9X						RCPD9323.9					
10	355.6	G 10		RCP10355.6X	630	530	530	265	180	RCPD10355.6	630	530	530	265	360
	406.4	G 12		RCP10406.4X						RCPD10406.4					

Metal parts also available in stainless steel.

<sup>1)</sup> Only sizes 1–4

**Tube clamps series C (Heavy series) – Components**

DIN 3015, part 2

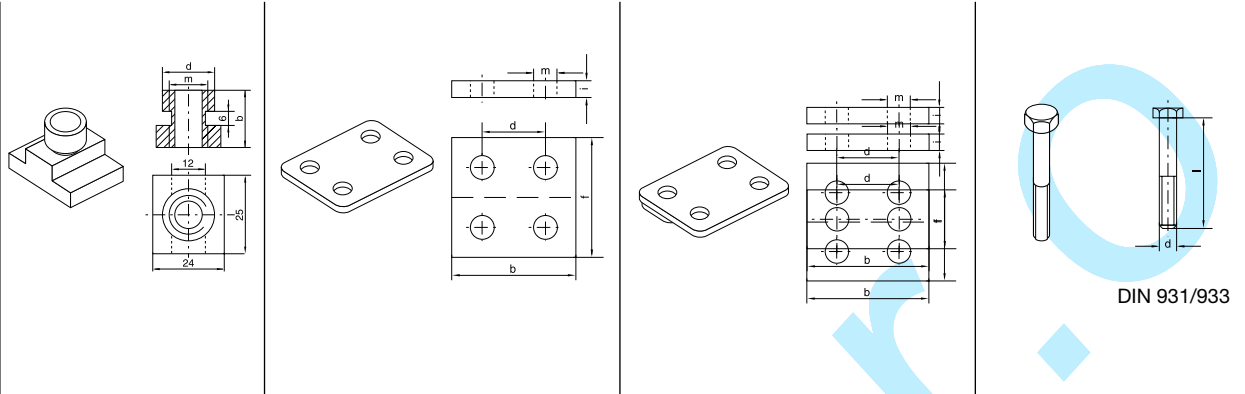


clamp size	AP C... Order code	weld plate dimensions:					APD C... Order code	double weld plate dimensions:					APL C... Order code	weld/screw plate dimensions:					mounting rail	
		d	f	g	i	m		d	f	g	i	m		g	f	i	k	n	TS C... Order code	dim.: b h
1	<b>APC1X</b>	33	30	73	8	M10	<b>APDC1X</b>	33	60	73	8	M10	<b>APLC1X</b>	113	30	8	85	11	<b>TSC1X</b> <b>(1 Meter)</b>	40 22
2	<b>APC2X</b>	45	30	85	8	M10	<b>APDC2X</b>	45	60	85	8	M10	<b>APLC2X</b>	125	30	8	97	11		
3	<b>APC3X</b>	60	30	100	8	M10	<b>APDC3X</b>	60	60	100	8	M10	<b>APLC3X</b>	140	30	8	112	11	<b>TSC2X</b> <b>(2 Meter)</b>	
4	<b>APC4X</b>	90	45	140	10	M12	<b>APDC4X</b>	90	90	140	10	M12	<b>APLC4X</b>	190	45	10	160	14		
5	<b>APC5X</b>	122	60	180	10	M16	<b>APDC5X</b>	122	120	180	10	M16	<b>APLC5X</b>	240	60	10	205	18		
6	<b>APC6X</b>	168	80	225	15	M20	<b>APDC6X</b>	168	160	225	15	M20	<b>APLC6X</b>	310	80	15	270	22		
7	<b>APC7X</b>	205	90	270	15	M24	<b>APDC7X</b>	205	180	270	15	M24	<b>APLC7X</b>	370	90	15	320	26		
8	<b>APC8X</b>	265	120	340	25	M30	<b>APDC8X</b>	265	240	340	25	M30	<b>APLC8X</b>	450	120	25	390	33		
9	<b>APC9X</b>	395	160	520	30	M30	<b>APDC9X</b>	395	324	520	30	M30								
10	<b>APC10X</b>	530	180	680	30	M30	<b>APDC10X</b>	530	364	680	30	M30								

Metal parts also available in stainless steel.  
 Complete programme range please refer to page T29.

**Tube clamps series C (Heavy series) – Components**

DIN 3015, part 2

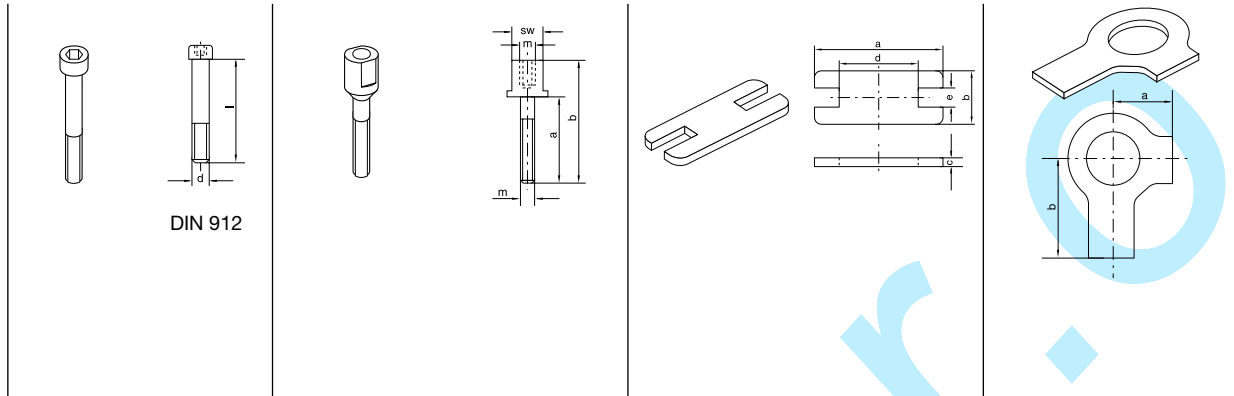


clamp size	rail nut			cover plate					double cover plate					hexagon head				
	TM C... Order code	dimensions:			DP C... Order code	dimensions:					DPD C... Order code	dimensions:					SS C... Order code	dimensions:
		b	d	m		b	d	f	i	m		b	d	f	i	m		d × L
1	<b>TMC1X</b>	20	17.8	M10	<b>DPC1X</b>	55	33	30	8	11	<b>DPDC1X</b>	55	33	60	8	11	<b>SSC1X</b>	M 10×40
2					<b>DPC2X</b>	70	45	30	8	11	<b>DPDC2X</b>	70	45	60	8	11	<b>SSC2X</b>	M 10×60
3					<b>DPC3X</b>	85	60	30	8	11	<b>DPDC3X</b>	85	60	60	8	11	<b>SSC3X</b>	M 10×70
4	<b>TMC4X</b>	23	19.8	M12	<b>DPC4X</b>	115	90	45	10	14	<b>DPDC4X</b>	115	90	90	10	14	<b>SSC4X</b>	M 12×100
5					<b>DPC5X</b>	152	122	60	10	18	<b>DPDC5X</b>	152	122	120	10	18	<b>SSC5X</b>	M 16×130
6					<b>DPC6X</b>	205	168	80	15	22	<b>DPDC6X</b>	205	168	160	15	22	<b>SSC6X</b>	M 20×190
7					<b>DPC7X</b>	250	205	90	15	26	<b>DPDC7X</b>	250	205	180	15	26	<b>SSC7X</b>	M 24×220
8					<b>DPC8X</b>	320	265	120	25	33	<b>DPDC8X</b>	320	265	240	25	33	<b>SSC8X</b>	M 30×300
9					<b>DPC9X</b>	466	395	160	30	35	<b>DPDC9X</b>	466	395	324	30	35	<b>SSC9X</b>	M 30×450
10					<b>DPC10X</b>	630	530	364	30	35	<b>DPDC10X</b>	630	530	364	30	35	<b>SSC10X</b>	M 30×560

Metal parts also available in stainless steel.

**Tube clamps series C (Heavy series) – Components**

DIN 3015, part 2



clamp size	socket head		AS C... Order code	stacking				locking plate <sup>1)</sup>					locking washer <sup>2)</sup>			
	IS C... Order code	dimensions: d × L		dimensions:				dimensions:					US C... Order code	dimensions:		
			a	b	m	SW	a	b	c	d	e		a	b		
1	<b>ISC1X</b>	M 10×45	<b>ASC1X</b>	25	51	M10	15	<b>SPC1X</b>	55	30	8	14	15.5	<b>USC1X</b>	13	22
2	<b>ISC2X</b>	M 10×60	<b>ASC2X</b>	40	66	M10	15	<b>SPC2X</b>	70	30	8	26	15.5			
3	<b>ISC3X</b>	M 10×70	<b>ASC3X</b>	50	76	M10	15	<b>SPC3X</b>	85	30	8	41	15.5			
4	<b>ISC4X</b>	M 12×100	<b>ASC4X</b>	85	112	M12	17	<b>SPC4X</b>	115	45	10	69	17.5	<b>USC4X</b>	15	28
5	<b>ISC5X</b>	M 16×130	<b>ASC5X</b>	110	146	M16	21	<b>SPC5X</b>	152	60	10	97	21.5	<b>USC5X</b>	18	32
6	<b>ISC6X</b>	M 20×190	<b>ASC6X</b>	155	206	M20	27	<b>SPC6X</b>	205	80	15	137	27.5	<b>USC6X</b>	21	36
7	<b>ISC7X</b>	M 24×220	<b>ASC7X</b>	185	245	M24	30	<b>SPC7X</b>	250	90	15	169	30.5	<b>USC7X</b>	25	42
8	<b>ISC8X</b>	M 30×300	<b>ASC8X</b>	250	330	M30	36	<b>SPC8X</b>	320	120	25	219	36.5	<b>USC8X</b>	32	52

<sup>1)</sup> The use of stacking screws necessitates the use of locking plates in the construction assembly!

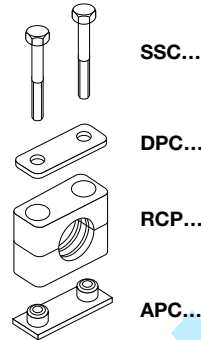
<sup>2)</sup> When assembling solid rubber clamps, covering plates, hexagon screws and locking washers must be used. Metal parts also available in stainless steel.

**Tube clamps series C – Complete range**

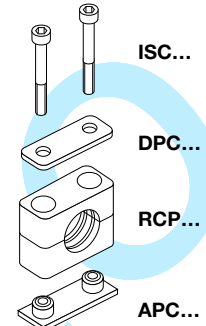
Polypropylene – **RCP**  
 Inside smooth – **RCPG<sup>1)</sup>**  
 Polyamide 6 – **RCN**  
 Rubber – **RCVR\***  
 Aluminium – **RCA**

(As required please exchange standard abbreviation  
 RCP in column for “Order code”)

2 clamp halves, weld plate,  
cover plate, hex. head bolt



2 clamp halves, weld plate,  
cover plate, socket head bolt



clamp size	Tube O.D. mm	Tube NB	Tube O.D.	Order code	Order code	
1	6.0	G 1/8	5/16	<b>RCP1-106</b>	<b>RCP2-106</b>	
	8.0			<b>RCP1-108</b>	<b>RCP2-108</b>	
	10.0			<b>RCP1-110</b>	<b>RCP2-110</b>	
	12.0			<b>RCP1-112</b>	<b>RCP2-112</b>	
	12.7	G 1/4	1/2	<b>RCP1-112.7</b>	<b>RCP2-112.7</b>	
	13.5			<b>RCP1-113.5</b>	<b>RCP2-113.5</b>	
	14.0			<b>RCP1-114</b>	<b>RCP2-114</b>	
	15.0			<b>RCP1-115</b>	<b>RCP2-115</b>	
	16.0			<b>RCP1-116</b>	<b>RCP2-116</b>	
	17.2			<b>RCP1-117.2</b>	<b>RCP2-117.2</b>	
18.0	G 3/8	5/8	<b>RCP1-118</b>	<b>RCP2-118</b>		
2	19.0	G 1/2	3/4	<b>RCP1-219</b>	<b>RCP2-219</b>	
	20.0			<b>RCP1-220</b>	<b>RCP2-220</b>	
	21.3			<b>RCP1-221.3</b>	<b>RCP2-221.3</b>	
	22.0			<b>RCP1-222</b>	<b>RCP2-222</b>	
	23.0	G 3/4	1	<b>RCP1-223</b>	<b>RCP2-223</b>	
	25.0			<b>RCP1-225</b>	<b>RCP2-225</b>	
	26.9			<b>RCP1-226.9</b>	<b>RCP2-226.9</b>	
	28.0			<b>RCP1-228</b>	<b>RCP2-228</b>	
	30.0			<b>RCP1-230</b>	<b>RCP2-230</b>	
	30.0			G 1	1 1/4	<b>RCP1-330</b>
32.0	<b>RCP1-332</b>	<b>RCP2-332</b>				
33.7	<b>RCP1-333.7</b>	<b>RCP2-333.7</b>				
35.0	<b>RCP1-335</b>	<b>RCP2-335</b>				
38.0	G 1 1/4	1 1/2	<b>RCP1-338</b>	<b>RCP2-338</b>		
40.0			<b>RCP1-340</b>	<b>RCP2-340</b>		
42.0			<b>RCP1-342</b>	<b>RCP2-342</b>		
38.0			G 1 1/4	1 1/2	<b>RCP1-438</b>	<b>RCP2-438</b>
40.0	<b>RCP1-440</b>	<b>RCP2-440</b>				
42.0	<b>RCP1-442</b>	<b>RCP2-442</b>				
45.0	<b>RCP1-445</b>	<b>RCP2-445</b>				
48.3	G 1 1/2	<b>RCP1-448.3</b>			<b>RCP2-448.3</b>	
50.0	G 1 1/2	2			<b>RCP1-450</b>	<b>RCP2-450</b>
51.0					<b>RCP1-451</b>	<b>RCP2-451</b>
52.0					<b>RCP1-452</b>	<b>RCP2-452</b>
55.0					<b>RCP1-455</b>	<b>RCP2-455</b>
57.0	G 2	2 1/4			<b>RCP1-457</b>	<b>RCP2-457</b>
60.3			<b>RCP1-460.3</b>	<b>RCP2-460.3</b>		
63.0			<b>RCP1-463</b>	<b>RCP2-463</b>		
65.0			<b>RCP1-465</b>	<b>RCP2-465</b>		
70.0			<b>RCP1-470</b>	<b>RCP2-470</b>		

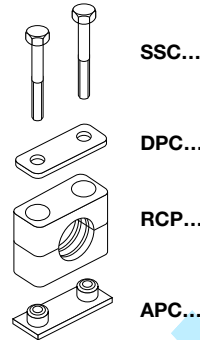
Continuation see next page ...

Tube clamps series C – Complete range (Continued)

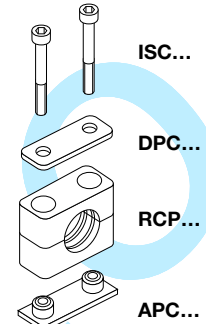
Polypropylene – **RCP**  
 Inside smooth – **RCPG<sup>1)</sup>**  
 Polyamide 6 – **RCN**  
 Rubber – **RCVR\***  
 Aluminium – **RCA**

(As required please exchange standard abbreviation RCP in column for “Order code”)

2 clamp halves, weld plate, cover plate, hex. head bolt



2 clamp halves, weld plate, cover plate, socket head bolt



clamp size	Tube O.D. mm	Tube NB	Tube O.D.	Order code	Order code
5	70.0	G 2 1/2	3	<b>RCP1-570</b>	<b>RCP2-570</b>
	73.0			<b>RCP1-573</b>	<b>RCP2-573</b>
	75.0			<b>RCP1-575</b>	<b>RCP2-575</b>
	76.1			<b>RCP1-576.1</b>	<b>RCP2-576.1</b>
	80.0	G 3	3 1/4	<b>RCP1-580</b>	<b>RCP2-580</b>
	82.5			<b>RCP1-582.5</b>	<b>RCP2-582.5</b>
	88.9			<b>RCP1-588.9</b>	<b>RCP2-588.9</b>
	90.0			<b>RCP1-590</b>	<b>RCP2-590</b>
6	90.0	G 3 1/2	4	<b>RCP1-690</b>	<b>RCP2-690</b>
	97.0			<b>RCP1-697</b>	<b>RCP2-697</b>
	100.0			<b>RCP1-6100</b>	<b>RCP2-6100</b>
	101.6			<b>RCP1-6101.6</b>	<b>RCP2-6101.6</b>
	108.0	G 4	4 1/2	<b>RCP1-6108</b>	<b>RCP2-6108</b>
	114.3			<b>RCP1-6114.3</b>	<b>RCP2-6114.3</b>
	127.0			<b>RCP1-6127</b>	<b>RCP2-6127</b>
7	127.0	G 5	5	<b>RCP1-7127</b>	<b>RCP2-7127</b>
	133.0			<b>RCP1-7133</b>	<b>RCP2-7133</b>
	140.0			<b>RCP1-7140</b>	<b>RCP2-7140</b>
	150.0	G 5 1/2	6	<b>RCP1-7150</b>	<b>RCP2-7150</b>
	152.4			<b>RCP1-7152.4</b>	<b>RCP2-7152.4</b>
	159.0			<b>RCP1-7159</b>	<b>RCP2-7159</b>
	165.1	G 6	6 1/2	<b>RCP1-7165.1</b>	<b>RCP2-7165.1</b>
	168.3			<b>RCP1-7168.3</b>	<b>RCP2-7168.3</b>
8	168.3	G 8	6 5/8	<b>RCP1-8168.3</b>	<b>RCP2-8168.3</b>
	177.8		7	<b>RCP1-8177.8</b>	<b>RCP2-8177.8</b>
	193.7		7 5/8	<b>RCP1-8193.7</b>	<b>RCP2-8193.7</b>
	203.0		8 5/8	<b>RCP1-8203</b>	<b>RCP2-8203</b>
	219.1			<b>RCP1-8219.1</b>	<b>RCP2-8219.1</b>
	220.0			<b>RCP1-8220</b>	<b>RCP2-8220</b>

Delivery in unassembled individual components.

<sup>1)</sup> Only sizes 1–4

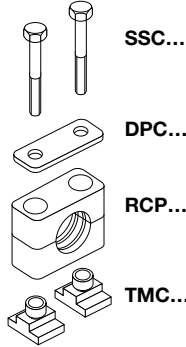
\* Only with cover plate, hexagon screws and locking washers (only sizes 1–4).

**Tube clamps series C – Complete range**

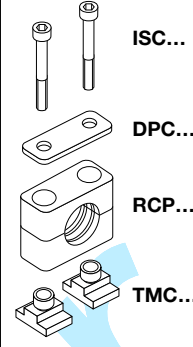
Polypropylene – **RCP**  
 Inside smooth – **RCPG<sup>1</sup>**  
 Polyamide 6 – **RCN**  
 Rubber – **RCVR\***  
 Aluminium – **RCA**

(As required please exchange standard abbreviation  
 RCP in column for "Order code")

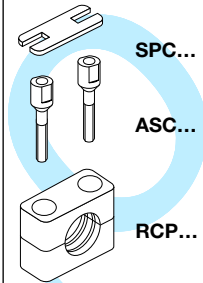
2 clamp halves,  
 rail nuts, cover plate,  
 hex. head bolts



2 clamp halves,  
 rail nuts, cover plate,  
 socket head bolts



2 clamp halves, lock-  
 ing plate, stacking  
 bolts



clamp size	Tube O.D. mm	Tube NB	Tube O.D.	Order code	Order code	Order code
1	6.0	G 1/8	5/16	RCP3-106	RCP4-106	RCP5-106
	8.0			RCP3-108	RCP4-108	RCP5-108
	10.0			RCP3-110	RCP4-110	RCP5-110
	12.0			RCP3-112	RCP4-112	RCP5-112
	12.7	G 1/4	1/2	RCP3-112.7	RCP4-112.7	RCP5-112.7
	13.5			RCP3-113.5	RCP4-113.5	RCP5-113.5
	14.0			RCP3-114	RCP4-114	RCP5-114
	15.0			RCP3-115	RCP4-115	RCP5-115
	16.0	G 3/8	5/8	RCP3-116	RCP4-116	RCP5-116
	17.2			RCP3-117.2	RCP4-117.2	RCP5-117.2
18.0	RCP3-118			RCP4-118	RCP5-118	
2	19.0	G 1/2	3/4	RCP3-219	RCP4-219	RCP5-219
	20.0			RCP3-220	RCP4-220	RCP5-220
	21.3			RCP3-221.3	RCP4-221.3	RCP5-221.3
	22.0			RCP3-222	RCP4-222	RCP5-222
	23.0	G 3/4	1	RCP3-223	RCP4-223	RCP5-223
	25.0			RCP3-225	RCP4-225	RCP5-225
	26.9			RCP3-226.9	RCP4-226.9	RCP5-226.9
	28.0			RCP3-228	RCP4-228	RCP5-228
	30.0			RCP3-230	RCP4-230	RCP5-230
3	30.0	G 1	1 1/4	RCP3-330	RCP4-330	RCP5-330
	32.0			RCP3-332	RCP4-332	RCP5-332
	33.7			RCP3-333.7	RCP4-333.7	RCP5-333.7
	35.0			RCP3-335	RCP4-335	RCP5-335
	38.0	G 1 1/4	1 1/2	RCP3-338	RCP4-338	RCP5-338
	40.0			RCP3-340	RCP4-340	RCP5-340
	42.0			RCP3-342	RCP4-342	RCP5-342
4	38.0	G 1 1/4	1 1/2	RCP3-438	RCP4-438	RCP5-438
	40.0			RCP3-440	RCP4-440	RCP5-440
	42.0			RCP3-442	RCP4-442	RCP5-442
	45.0			RCP3-445	RCP4-445	RCP5-445
	48.3	G 1 1/2	2	RCP3-448.3	RCP4-448.3	RCP5-448.3
	50.0			RCP3-450	RCP4-450	RCP5-450
	51.0			RCP3-451	RCP4-451	RCP5-451
	52.0			RCP3-452	RCP4-452	RCP5-452
	55.0	G 2	2 1/4	RCP3-455	RCP4-455	RCP5-455
	57.0			RCP3-457	RCP4-457	RCP5-457
	60.3			RCP3-460.3	RCP4-460.3	RCP5-460.3
	63.0			RCP3-463	RCP4-463	RCP5-463
	65.0			RCP3-465	RCP4-465	RCP5-465
	70.0			RCP3-470	RCP4-470	RCP5-470

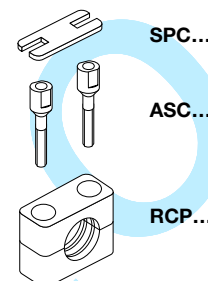
Continuation see next page ...

**Tube clamps series C – Complete range (Continued)**

Polypropylene – **RCP**  
 Inside smooth – **RCPG<sup>1)</sup>**  
 Polyamide 6 – **RCN**  
 Rubber – **RCVR\***  
 Aluminium – **RCA**

(As required please exchange standard abbreviation RCP in column for “Order code”)

2 clamp halves, locking plate, stacking bolts



clamp size	Tube O.D. mm	Tube NB	Tube O.D.	Order code
5	70.0	G 2 1/2	3	<b>RCP5-570</b>
	73.0			<b>RCP5-573</b>
	75.0			<b>RCP5-575</b>
	76.1			<b>RCP5-576.1</b>
	80.0	G 3	3 1/4	<b>RCP5-580</b>
	82.5			<b>RCP5-582.5</b>
	88.9			<b>RCP5-588.9</b>
	90.0			<b>RCP5-590</b>
6	90.0	G 3 1/2	4	<b>RCP5-690</b>
	97.0			<b>RCP5-697</b>
	100.0			<b>RCP5-6100</b>
	101.6			<b>RCP5-6101.6</b>
	108.0	G 4	4 1/4	<b>RCP5-6108</b>
	114.3			<b>RCP5-6114.3</b>
	127.0			<b>RCP5-6127</b>
7	127.0	G 5	5	<b>RCP5-7127</b>
	133.0			<b>RCP5-7133</b>
	140.0			<b>RCP5-7140</b>
	150.0	G 5 1/2	5 1/2	<b>RCP5-7150</b>
	152.4			<b>RCP5-7152.4</b>
	159.0			<b>RCP5-7159</b>
	165.1			<b>RCP5-7165.1</b>
	168.3			<b>RCP5-7168.3</b>
8	168.3	G 6	6	<b>RCP5-7152.4</b>
	177.8			<b>RCP5-7159</b>
	193.7			<b>RCP5-7165.1</b>
	203.0	G 8	6 1/4	<b>RCP5-7168.3</b>
	219.1			<b>RCP5-8168.3</b>
	220.0			<b>RCP5-8177.8</b>
8	168.3	G 8	75/8	<b>RCP5-8193.7</b>
	177.8			<b>RCP5-8203</b>
	193.7			<b>RCP5-8219.1</b>
	203.0			<b>RCP5-8203</b>
	219.1			<b>RCP5-8219.1</b>
220.0	<b>RCP5-8220</b>			

**Delivery in unassembled individual components.**

<sup>1)</sup> Only sizes 1–4

\* Only with cover plate, hexagon screws and locking washers (only sizes 1–4).

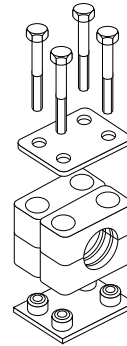


**Tube clamps series C – Complete range**

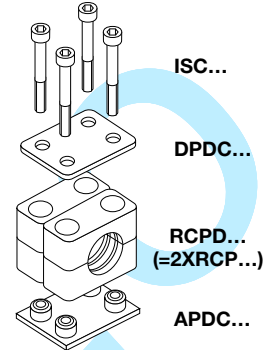
Polypropylene – **RCPD**  
 Inside smooth – **RCPDG<sup>1</sup>**  
 Polyamide 6 – **RCND**  
 Rubber – **RCVDR\***  
 Aluminium – **RCAD**

(As required please exchange standard abbreviation RCP in column for "Order code")

4 clamp halves, double weld plate, double cover plate, hex. head bolts



4 clamp halves, double weld plate, double cover plate, socket head bolts



clamp size	Tube O.D. mm	Tube NB	Tube O.D.	Order code	Order code
1	6.0	G 1/8	5/16	<b>RCPD1-106</b>	<b>RCPD2-106</b>
	8.0			<b>RCPD1-108</b>	<b>RCPD2-108</b>
	10.0			<b>RCPD1-110</b>	<b>RCPD2-110</b>
	12.0			<b>RCPD1-112</b>	<b>RCPD2-112</b>
	12.7	G 1/4	1/2	<b>RCPD1-112.7</b>	<b>RCPD2-112.7</b>
	13.5			<b>RCPD1-113.5</b>	<b>RCPD2-113.5</b>
	14.0			<b>RCPD1-114</b>	<b>RCPD2-114</b>
	15.0			<b>RCPD1-115</b>	<b>RCPD2-115</b>
	16.0			<b>RCPD1-116</b>	<b>RCPD2-116</b>
	17.2			<b>RCPD1-117.2</b>	<b>RCPD2-117.2</b>
18.0	G 3/8	5/8	<b>RCPD1-118</b>	<b>RCPD2-118</b>	
2	19.0	G 1/2	3/4	<b>RCPD1-219</b>	<b>RCPD2-219</b>
	20.0			<b>RCPD1-220</b>	<b>RCPD2-220</b>
	21.3			<b>RCPD1-221.3</b>	<b>RCPD2-221.3</b>
	22.0			<b>RCPD1-222</b>	<b>RCPD2-222</b>
	23.0	G 3/4	1	<b>RCPD1-223</b>	<b>RCPD2-223</b>
	25.0			<b>RCPD1-225</b>	<b>RCPD2-225</b>
	26.9			<b>RCPD1-226.9</b>	<b>RCPD2-226.9</b>
	28.0			<b>RCPD1-228</b>	<b>RCPD2-228</b>
	30.0			<b>RCPD1-230</b>	<b>RCPD2-230</b>
3	30.0	G 1	1 1/4	<b>RCPD1-330</b>	<b>RCPD2-330</b>
	32.0			<b>RCPD1-332</b>	<b>RCPD2-332</b>
	33.7			<b>RCPD1-333.7</b>	<b>RCPD2-333.7</b>
	35.0	G 1 1/4	1 1/2	<b>RCPD1-335</b>	<b>RCPD2-335</b>
	38.0			<b>RCPD1-338</b>	<b>RCPD2-338</b>
	40.0			<b>RCPD1-340</b>	<b>RCPD2-340</b>
42.0			<b>RCPD1-342</b>	<b>RCPD2-342</b>	
4	38.0	G 1 1/4	1 1/2	<b>RCPD1-438</b>	<b>RCPD2-438</b>
	40.0			<b>RCPD1-440</b>	<b>RCPD2-440</b>
	42.0			<b>RCPD1-442</b>	<b>RCPD2-442</b>
	45.0			<b>RCPD1-445</b>	<b>RCPD2-445</b>
	48.3	G 1 1/2		<b>RCPD1-448.3</b>	<b>RCPD2-448.3</b>
	50.0			<b>RCPD1-450</b>	<b>RCPD2-450</b>
	51.0	G 2	2	<b>RCPD1-451</b>	<b>RCPD2-451</b>
	52.0			<b>RCPD1-452</b>	<b>RCPD2-452</b>
	55.0			<b>RCPD1-455</b>	<b>RCPD2-455</b>
	57.0			<b>RCPD1-457</b>	<b>RCPD2-457</b>
	60.3	G 2	2 1/4	<b>RCPD1-460.3</b>	<b>RCPD2-460.3</b>
	63.0			<b>RCPD1-463</b>	<b>RCPD2-463</b>
	65.0			<b>RCPD1-465</b>	<b>RCPD2-465</b>
	70.0			<b>RCPD1-470</b>	<b>RCPD2-470</b>

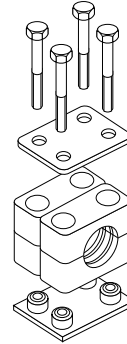
Continuation see next page ...

Tube clamps series C – Complete range (Continued)

Polypropylene – **RCPD**  
 Inside smooth – **RCPDG<sup>1)</sup>**  
 Polyamide 6 – **RCND**  
 Rubber – **RCVDR\***  
 Aluminium – **RCAD**

(As required please exchange standard abbreviation RCP in column for “Order code”)

4 clamp halves, double weld plate, double cover plate, hex. head bolts



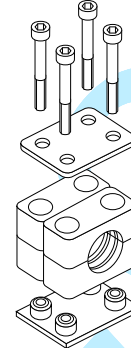
SSC...

DPDC...

RCPD...  
(=2XRCP...)

APDC...

4 clamp halves, double weld plate, double cover plate, socket head bolts



ISC...

DPDC...

RCPD...  
(=2XRCP...)

APDC...

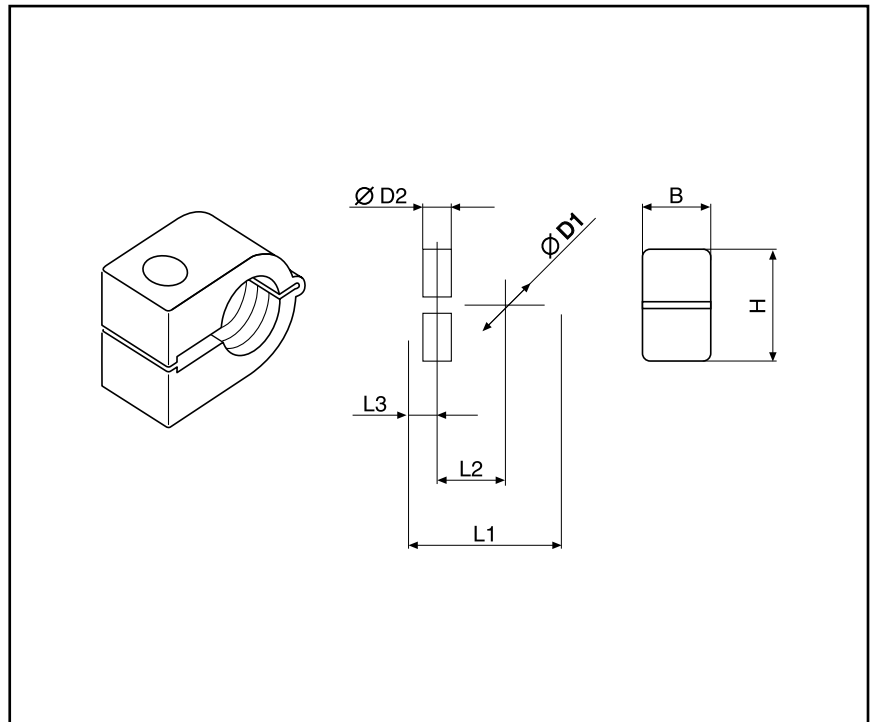
clamp size	Tube O.D. mm	Tube NB	Tube O.D.	Order code	Order code
5	70.0	G 2 1/2	3	<b>RCPD1-570</b>	<b>RCPD2-570</b>
	73.0			<b>RCPD1-573</b>	<b>RCPD2-573</b>
	75.0			<b>RCPD1-575</b>	<b>RCPD2-575</b>
	76.1			<b>RCPD1-576.1</b>	<b>RCPD2-576.1</b>
	80.0	G 3	3 1/4	<b>RCPD1-580</b>	<b>RCPD2-580</b>
	82.5			<b>RCPD1-582.5</b>	<b>RCPD2-582.5</b>
	88.9			<b>RCPD1-588.9</b>	<b>RCPD2-588.9</b>
90.0			<b>RCPD1-590</b>	<b>RCPD2-590</b>	
6	90.0	G 3 1/2	4	<b>RCPD1-690</b>	<b>RCPD2-690</b>
	97.0			<b>RCPD1-697</b>	<b>RCPD2-697</b>
	100.0			<b>RCPD1-6100</b>	<b>RCPD2-6100</b>
	101.6			<b>RCPD1-6101.6</b>	<b>RCPD2-6101.6</b>
	108.0	G 4	4 1/2	<b>RCPD1-6108</b>	<b>RCPD2-6108</b>
	114.3			<b>RCPD1-6114.3</b>	<b>RCPD2-6114.3</b>
	127.0			<b>RCPD1-6127</b>	<b>RCPD2-6127</b>
7	127.0	G 5	5	<b>RCPD1-7127</b>	<b>RCPD2-7127</b>
	133.0			<b>RCPD1-7133</b>	<b>RCPD2-7133</b>
	140.0			<b>RCPD1-7140</b>	<b>RCPD2-7140</b>
	150.0	G 5 1/2	6	<b>RCPD1-7150</b>	<b>RCPD2-7150</b>
	152.4			<b>RCPD1-7152.4</b>	<b>RCPD2-7152.4</b>
	159.0	G 6	6 1/4	<b>RCPD1-7159</b>	<b>RCPD2-7159</b>
	165.1			<b>RCPD1-7165.1</b>	<b>RCPD2-7165.1</b>
168.3	<b>RCPD1-7168.3</b>			<b>RCPD2-7168.3</b>	
8	168.3	G 8	6 5/8	<b>RCPD1-8168.3</b>	<b>RCPD2-8168.3</b>
	177.8		7	<b>RCPD1-8177.8</b>	<b>RCPD2-8177.8</b>
	193.7		7 5/8	<b>RCPD1-8193.7</b>	<b>RCPD2-8193.7</b>
	203.0		8 5/8	<b>RCPD1-8203</b>	<b>RCPD2-8203</b>
	219.1			<b>RCPD1-8219.1</b>	<b>RCPD2-8219.1</b>
	220.0			<b>RCPD1-8220</b>	<b>RCPD2-8220</b>

Delivery in unassembled individual components.

<sup>1)</sup> Only sizes 1–4

\* Only with cover plate, hexagon screws and locking washers (only sizes 1–4).

Tube clamps series O



Order code for tube clamps:

Polypropylene **ROP\***

Polyamide **RON\***

\* Supplement with size and tube Ø mm.  
(e.g. ROP 106X)

Packing standard 200 pieces.

Areas of Application:

- pneumatics
  - automotive technology
  - machine tool industry
  - lubrication
  - naval technologie
- also suitable for cables and hoses.

Clamp-size	O.D. mm	Tube Ø D1		Order code Polypropylene ROP	Order code Polyamide RON	L1	L2	L3	B	H	Ø D2
		Tube NB	Inch								
1	6.0			<b>ROP 106X</b>	<b>RON 106X</b>	22	9	7	14.5	13.5	6.5
	6.4		1/4	<b>ROP 106.4X</b>	<b>RON 106.4X</b>						
	8.0			<b>ROP 108X</b>	<b>RON 108X</b>						
2	8.0			<b>ROP 208X</b>	<b>RON 208X</b>	27	11	7	14.5	18.5	6.5
	9.5		3/8	<b>ROP 209.5X</b>	<b>RON 209.5X</b>						
	10.0	1/8		<b>ROP 210X</b>	<b>RON 210X</b>						
	12.0		1/2	<b>ROP 212X</b>	<b>RON 212X</b>						
	12.7			<b>ROP 212.7X</b>	<b>RON 212.7X</b>						
3	10.0	1/8		<b>ROP 310X</b>	<b>RON 310X</b>	33	15	7	14.5	23.5	6.5
	12.0		1/2	<b>ROP 312X</b>	<b>RON 312X</b>						
	12.7			<b>ROP 312.7X</b>	<b>RON 312.7X</b>						
	13.5	1/4		<b>ROP 313.5X</b>	<b>RON 313.5X</b>						
	14.0			<b>ROP 314X</b>	<b>RON 314X</b>						
	15.0		5/8	<b>ROP 315X</b>	<b>RON 315X</b>						
	16.0			<b>ROP 316X</b>	<b>RON 316X</b>						
4	14.0			<b>ROP 414X</b>	<b>RON 414X</b>	40	19	6	14.5	30.5	6.5
	15.0		5/8	<b>ROP 415X</b>	<b>RON 415X</b>						
	16.0			<b>ROP 416X</b>	<b>RON 416X</b>						
	17.2	3/8		<b>ROP 417.2X</b>	<b>RON 417.2X</b>						
	18.0		3/4	<b>ROP 418X</b>	<b>RON 418X</b>						
	19.0			<b>ROP 419X</b>	<b>RON 419X</b>						
	20.0			<b>ROP 420X</b>	<b>RON 420X</b>						
	21.3	1/2		<b>ROP 421.3X</b>	<b>RON 421.3X</b>						
	22.0			<b>ROP 422X</b>	<b>RON 422X</b>						

## Double-Tube clamps series O

### Order code for tube clamps:

Polypropylen **ROPD\***  
 Polyamid **ROND\***

\*Supplement with size and tube  $\varnothing$  mm.  
 (e. g. ROPD 106X)

\*Different diameter on request

### Order code for cover plate:

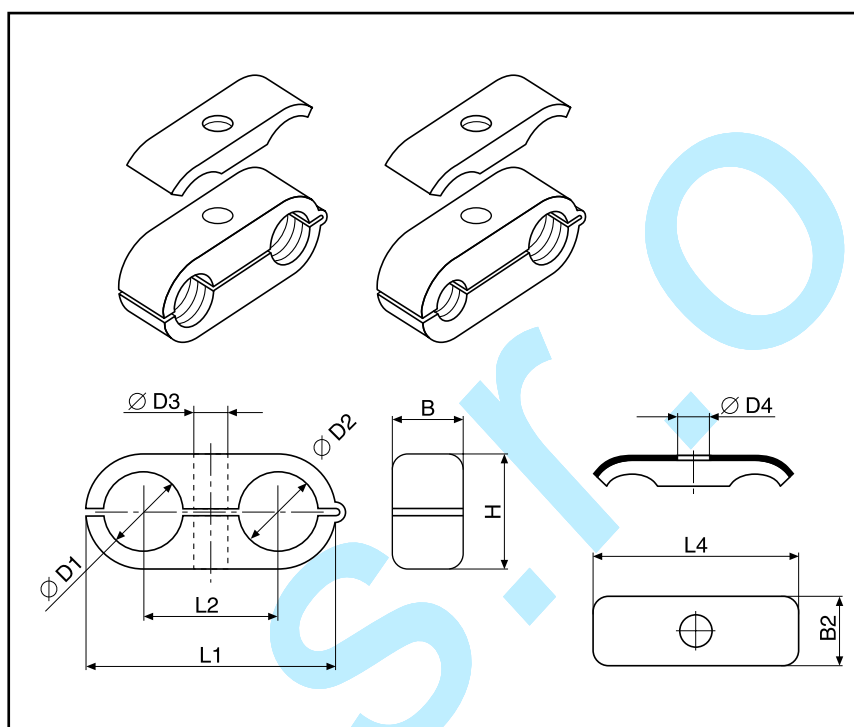
**DPO\***

\*Supplement with size.

Material: Galvanized steel  
 Stainless steel upon request

### Areas of Application:

- pneumatics
  - automotive technology
  - machine tool industry
  - lubrication
  - naval technologie
- also suitable for cables and hoses.



Clamp-size	Tube $\varnothing$ D1/D2			Order code Polypropylene ROPD	Order code Cover plate DPO	L1	L2	B	H	$\varnothing$ D3	L4	B2	$\varnothing$ D4	
	O.D. mm	Tube NB	Inch											
1	6.0		1/4	<b>ROPD 106X</b>	<b>DPO1X</b>	32	18	14.5	13.5	6.5	29.0	16.3	6.5	
	6.4			<b>ROPD 106.4X</b>	<b>DPO1X</b>									
	8.0			<b>ROPD 108X</b>	<b>DPO1X</b>									
2	8.0	1/8	3/8	<b>ROPD 208X</b>	<b>DPO2X</b>	41	22	14.5	18.5	6.5	40.0	16.3	6.5	
	9.5				<b>ROPD 209.5X</b>									<b>DPO2X</b>
	10.0				<b>ROPD 210X</b>									<b>DPO2X</b>
	12.0				<b>ROPD 212X</b>									<b>DPO2X</b>
	12.7				<b>ROPD 212.7X</b>									<b>DPO2X</b>
3	10.0	1/8	1/2	<b>ROPD 310X</b>	<b>DPO3X</b>	54	30	14.5	23.5	6.5	50.5	16.5	6.5	
	12.0				<b>ROPD 312X</b>									<b>DPO3X</b>
	12.7				<b>ROPD 312.7X</b>									<b>DPO3X</b>
	13.5	1/4		<b>ROPD 313.5X</b>	<b>DPO3X</b>									
	14.0			<b>ROPD 314X</b>	<b>DPO3X</b>									
	15.0			<b>ROPD 315X</b>	<b>DPO3X</b>									
	16.0			<b>ROPD 316X</b>	<b>DPO3X</b>									
4	14.0	3/8	5/8	<b>ROPD 414X</b>	<b>DPO4X</b>	69	38	14.5	30.5	6.5	63.0	16.5	6.5	
	15.0				<b>ROPD 415X</b>									<b>DPO4X</b>
	16.0				<b>ROPD 416X</b>									<b>DPO4X</b>
	17.2				<b>ROPD 417.2X</b>									<b>DPO4X</b>
	18.0				<b>ROPD 418X</b>									<b>DPO4X</b>
	19.0	3/4		<b>ROPD 419X</b>	<b>DPO4X</b>									
	20.0			<b>ROPD 420X</b>	<b>DPO4X</b>									
	21.3		1/2		<b>ROPD 421.3X</b>									<b>DPO4X</b>
	22.0			<b>ROPD 422X</b>	<b>DPO4X</b>									

### Hydraulic steel-clamps

#### Hydraulic steel-clamps

**Order code**                      **HSRS-\***

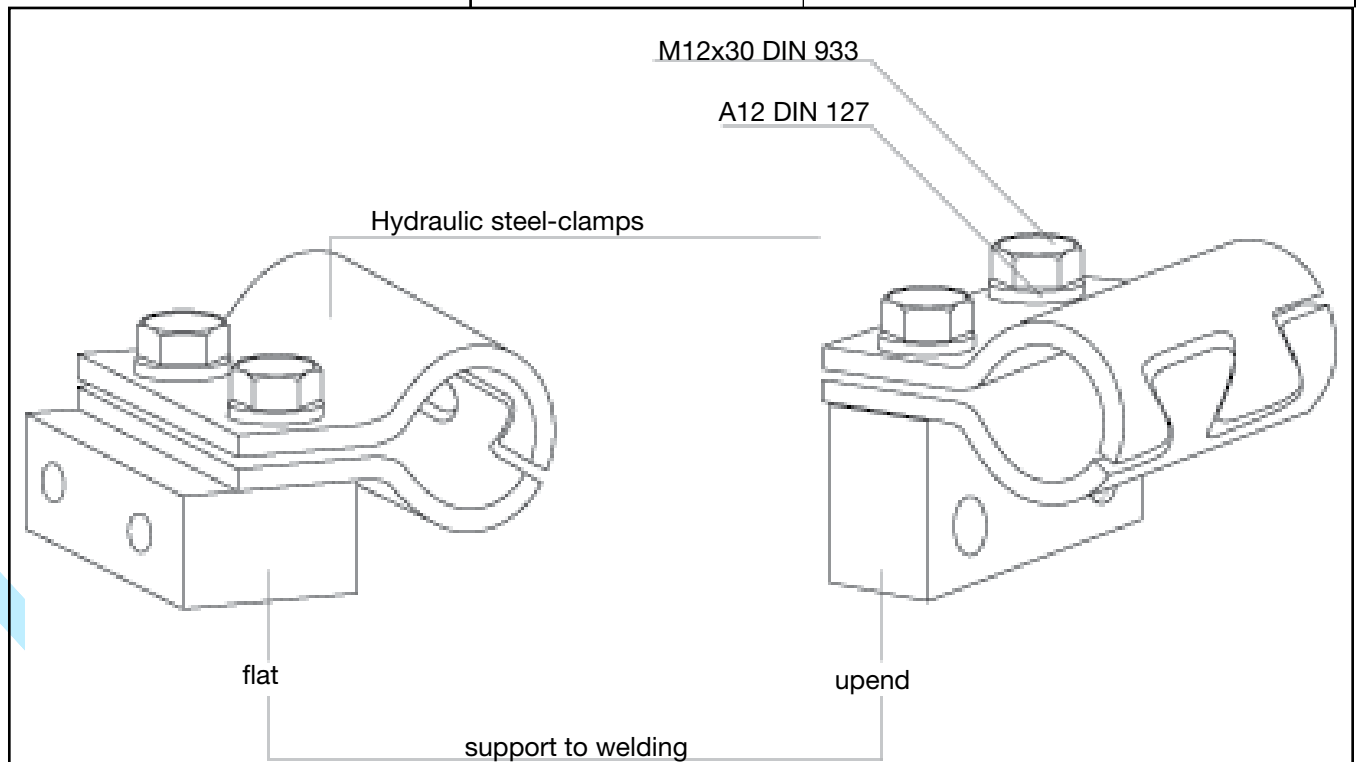
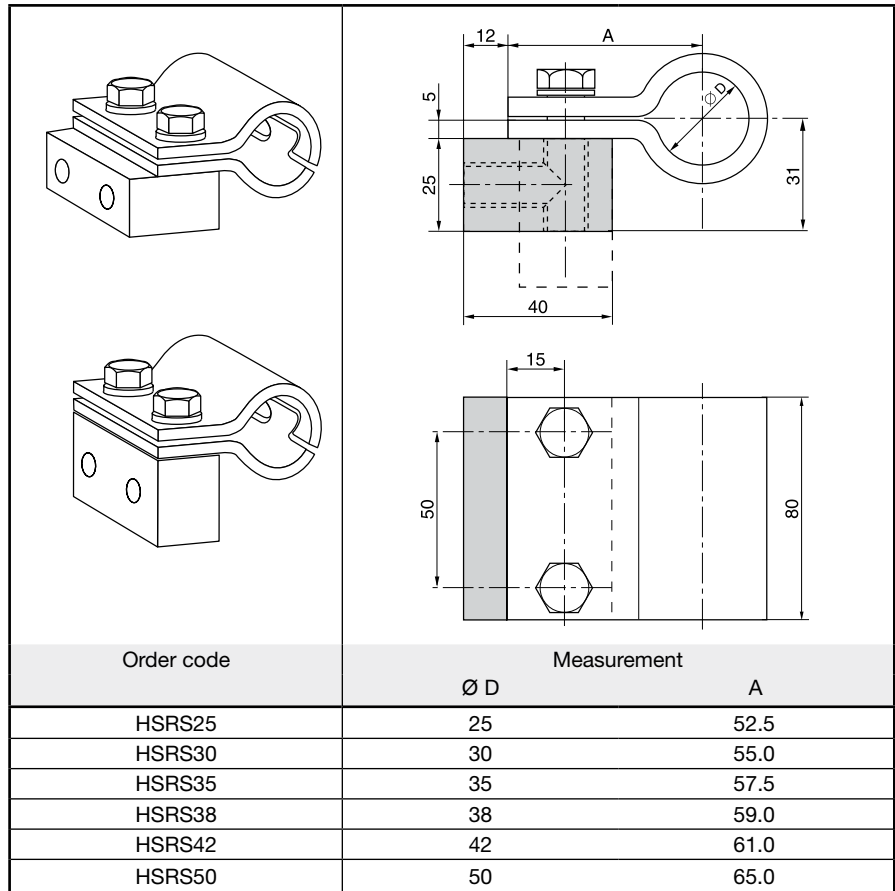
W1: steel coating ZN

\* please add. Ø D

**HSRS** hydraulic steel-clamps are mainly used in the field of building machinery.

The support-block is welded to the machine body or another component either in upend or flat position. The tube-clamp is screwed on.

The robust construction of the clamp has an impact- and vibration-absorbing effect. The small dimension/height of the clamp allows hydraulic cables to be fitted later on – e. g. for installing additional equipment to building machinery.



## Hydraulic steel-clamps

### Elastomere Inlay for HSRS

**Order code**                    **EE-\***  
 \* complete outside tube diameter

Hydraulic steel tube clamp HSRS also available with Elastomere inlay

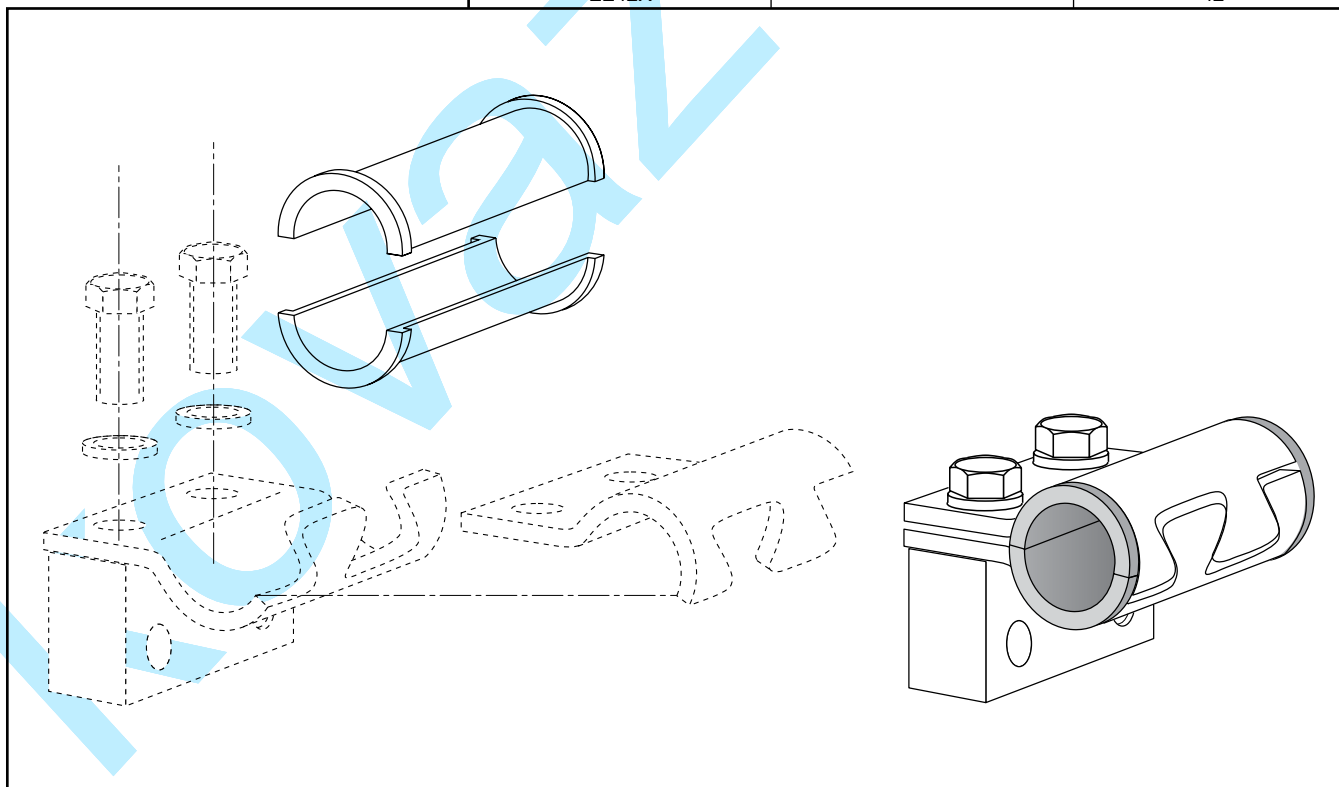
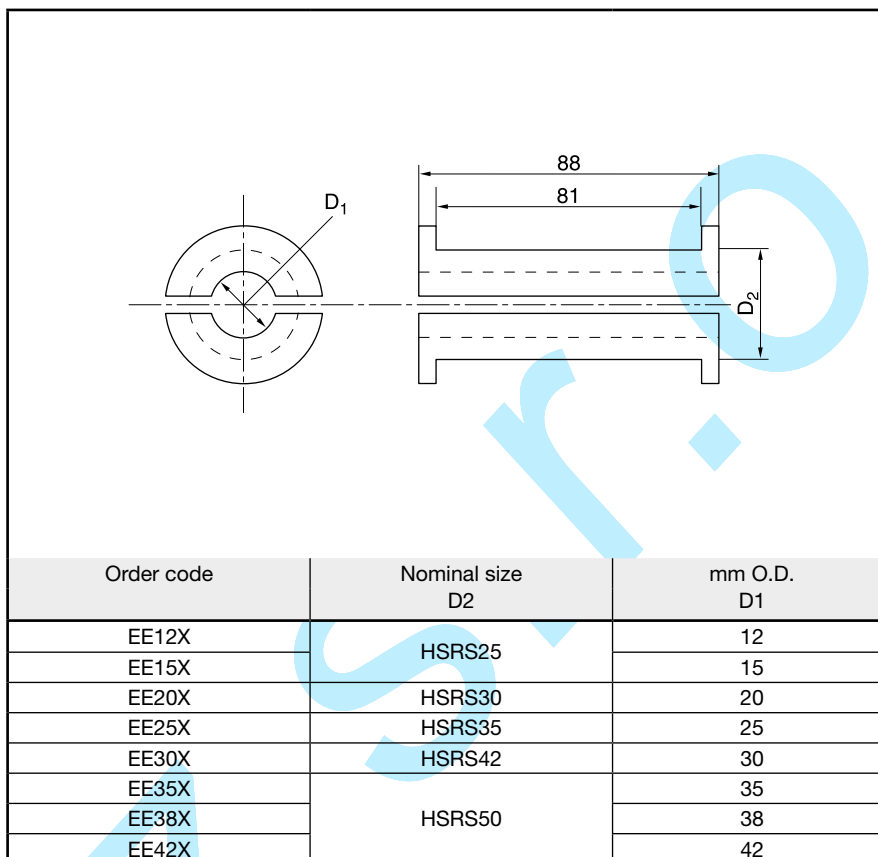
**The advantages:**

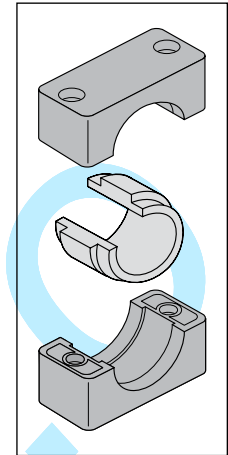
- complete outside tube diameter
- Safe fastening method even for very sensitive tube and hoses lines
- Only one clamp for different tube diameters

**Material:**

Santoprene 64 Shore

- high oil and weathering resistance
- temperature stability between -40 °C and +125°C



**Tube Clamps with Elastomer Inlay**

**Light Constr. Series**
**Order codes for clamp-halves:**

 Polypropylene - **RAPE**  
 Polyamide 6 - **RANE**
**Heavy Series**
**Order codes for clamp-halves:**

 Polypropylene - **RCPE**  
 Polyamide 6 - **RCNE**
**Elastomer Inlay**
**Order code: EE-\***  
 \*complete with clamp size and outside tube diameter

Clamp size		Tube O.D. mm	Series A		Series C		Elastomer inlay
Serie A	Serie C		Clamp body	Clamp body with elastomer inlay	Clamp body	Clamp body with elastomer inlay	
4	2	6.0	RAPE4X	RAPE406X	RCPE2X	RCPE206X	EE206/406X
		8.0		RAPE408X		RCPE208X	EE208/408X
		10.0		RAPE410X		RCPE210X	EE210/410X
		12.0		RAPE412X		RCPE212X	EE212/412X
		12.7		RAPE412.7X		RCPE212.7X	EE212.7/412.7X
		14.0		RAPE414X		RCPE214X	EE214/414X
		15.0		RAPE415X		RCPE215X	EE215/415X
		16.0		RAPE416X		RCPE216X	EE216/416X
		17.2		RAPE417.2X		RCPE217.2X	EE217.2/417.2X
		18.0		RAPE418X		RCPE218X	EE218/418X
		19.0		RAPE419X		RCPE219X	EE219/419X
6	3	20.0	RAPE6X	RAPE620X	RCPE3X	RCPE320X	EE320/620X
		21.3		RAPE621.3X		RCPE321.3X	EE321.3/621.3X
		22.0		RAPE622X		RCPE322X	EE322/622X
		23.0		RAPE623X		RCPE323X	EE323/623X
		25.0		RAPE625X		RCPE325X	EE325/625X
		26.9		RAPE626.9X		RCPE326.9X	EE326.9/626.9X
		28.0		RAPE628X		RCPE328X	EE328/628X
		30.0		RAPE630X		RCPE330X	EE330/630X
		32.0		RAPE632X		RCPE332X	EE332/632X
				4		32.0	
33.7	RCPE433.7X		EE433.7X				
35.0	RCPE435X		EE435X				
38.0	RCPE438X		EE438X				
40.0	RCPE440X		EE440X				
42.0	RCPE442X		EE442X				
45.5	RCPE445.5X		EE445.5X				
48.0	RCPE448X		EE448X				
51.0	RCPE451X		EE451X				
53.4	RCPE453.4		EE453.4X				
56.4	RCPE456.4X		EE456.4X				

**Attention!** For clamps with elastomer inlay, the relation of diameter and size is not identical with the profile design or smooth design.

## Tube clamps series 2+5 (Light construction series)

DIN 3015, Part 1, Components

### Order codes

#### for clamp-halves:

Polypropylen **RAP**  
inside smooth **RAPG**

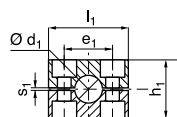
Polyamid 6 **RAN**  
inside smooth **RANG**

Rubber **RAVG**

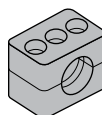
Replace standard abbreviation RAP in column "clamp halves" as required.



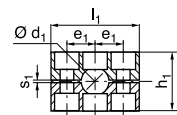
Size 2



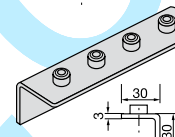
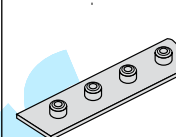
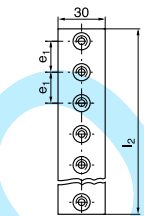
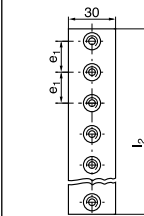
Size 2



Size 5



Size 5



Clamp size	O.D. mm $d_1$	Tube NB	Inch O.D.	1 part 2 clamp-halves	2 clamp-halves	Multiple weld plate	Multiple weld plate, angled	
				<b>RAP</b> Order code	<b>RAP-...</b> $l_1$ $h_1$ $e_1$ $s_1$	<b>APRLA2X</b> $e_1$ $l_2$	<b>APRWLA2X</b> $e_1$ $l_2$	
2	6.0	G 1/8	1/4	<b>RAP206X</b>	40 33 26 0.8	26 508	26 508	
	6.4		<b>RAP206.4X</b>					
	8.0		<b>RAP208X</b>					
	9.5		<b>RAP209.5X</b>					
	10.0		<b>RAP210X</b>					
	12.0	G 1/4	1/2	<b>RAP212X</b>				
	12.7		<b>RAP212.7X</b>					
	13.5		<b>RAP213.5X</b>					
	14.0		<b>RAP214X</b>					
	15.0		<b>RAP215X</b>					
5	16.0	G 3/8	5/8	<b>RAP216X</b>	70 58 26 1.2	26 508	26 508	
	17.2		<b>RAP217.2X</b>					
	18.0		<b>RAP218X</b>					
	19.0		G 1/2	3/4				<b>RAP519X</b>
	20.0			<b>RAP520X</b>				
	21.3	<b>RAP521.3X</b>						
	22.0	<b>RAP522X</b>						
	23.0	G 3/4		1				<b>RAP523X</b>
	25.0		<b>RAP525X</b>					
	26.9		<b>RAP526.9X</b>					
28.0	<b>RAP528X</b>							
30.0	G 1		1 1/4	<b>RAP530X</b>				
32.0		<b>RAP532X</b>						
33.7		<b>RAP533.7X</b>						
35.0		<b>RAP535X</b>						
38.0		G 1 1/4	1 1/2	<b>RAP538X</b>				
40.0	<b>RAP540X</b>							
42.0	<b>RAP542X</b>							

When assembling solid rubber clamps, cover plates, hexagon screws and locking washers must be used.  
All metal parts available in stainless steel.



**Tube clamps series 2+5 (Light construction series)**

DIN 3015, Part 1, Components

Cover plate		Bolts		Bolts		Bolts		Locking washer <sup>1)</sup>	
DPA	DPA l <sub>3</sub> 3 <sub>1</sub>	Slot head SLA	Slot head SLA d × L	Socket head ISA	Socket head ISA d × L	Hexagon head SSLA	Hexagon head SSLA d × L	USA/USB1X a	b
DPA2X	40 26	SLA2X	M 06×25	ISA2X	M 06×25	SSLA2/ SSB1X	M 06×25	9	18
DPA5X	70 52	SLA5X	M 06×50	ISA5X	M 06×50	SSLA5X	M 06×60		

1) When assembling solid rubber clamps, cover plates, hexagon screws and locking washers must be used.

